

# OPERATING INSTRUCTIONS AND OWNER'S MANUAL



## KEROSENE FORCED-AIR HEATER

Model #

MH50KR, MH75KTR,  
MH125KTR, MH175KTR,  
MH210KTR

**READ INSTRUCTIONS CAREFULLY:** Read and follow all instructions. Place instructions in a safe place for future reference. Do not allow anyone who has not read these instructions to assemble, light, adjust or operate the heater.



**⚠ WARNING: If the information in this manual is not followed exactly, a fire or explosion may result causing property damage, personal injury or loss of life.**

- Do not store or use gasoline or other flammable vapors and liquids in the vicinity of this or any other appliance.
- Service must be performed by a qualified service agency.

This is an unvented portable heater. It uses air (oxygen) from the area in which it is used. Adequate combustion and ventilation air must be provided. Refer to page 3.

**WARNING:**

⚠ YOUR SAFETY IS IMPORTANT TO YOU AND TO OTHERS, SO PLEASE READ THESE INSTRUCTIONS BEFORE YOU OPERATE THIS HEATER.

**GENERAL HAZARD WARNING:**

⚠ FAILURE TO COMPLY WITH THE PRECAUTIONS AND INSTRUCTIONS PROVIDED WITH THIS HEATER, CAN RESULT IN DEATH, SERIOUS BODILY INJURY AND PROPERTY LOSS OR DAMAGE FROM HAZARDS OF FIRE, EXPLOSION, BURN, ASPHYXIATION, CARBON MONOXIDE POISONING, AND/OR ELECTRICAL SHOCK.

⚠ ONLY PERSONS WHO CAN UNDERSTAND AND FOLLOW THE INSTRUCTIONS SHOULD USE OR SERVICE THIS HEATER.

⚠ IF YOU NEED ASSISTANCE OR HEATER INFORMATION SUCH AS AN INSTRUCTIONS MANUAL, LABELS, ETC. CONTACT THE MANUFACTURER.

**WARNING:**

⚠ **CARBON MONOXIDE CAN KILL YOU**  
USING A PORTABLE HEATER IN AN ENCLOSED AREA CAN PRODUCE DEADLY CARBON MONOXIDE.

**WARNING:**

⚠ NOT FOR HOME OR RECREATIONAL VEHICLE USE

**WARNING:**

⚠ FIRE, BURN, INHALATION, AND EXPLOSION HAZARD. KEEP SOLID COMBUSTIBLES, SUCH AS BUILDING MATERIALS, PAPER OR CARDBOARD, A SAFE DISTANCE AWAY FROM THE HEATER AS RECOMMENDED BY THE INSTRUCTIONS NEVER USE THE HEATER IN SPACES WHICH DO OR MAY CONTAIN VOLATILE OR AIRBORNE COMBUSTIBLES, OR PRODUCTS SUCH AS GASOLINE, SOLVENTS, PAINT THINNER, DUST PARTICLES OR UNKNOWN CHEMICALS.

**WARNING:**

**The State of California requires the following warning:**

COMBUSTION BY-PRODUCTS PRODUCED WHEN USING THIS PRODUCT CONTAIN CARBON MONOXIDE, A CHEMICAL KNOWN TO THE STATE OF CALIFORNIA TO CAUSE CANCER AND BIRTH DEFECTS (OR OTHER REPRODUCTIVE HARM).

THIS PRODUCT CONTAINS CHEMICALS KNOWN TO THE STATE OF CALIFORNIA TO CAUSE CANCER AND BIRTH DEFECTS OR OTHER REPRODUCTIVE HARM.

**WARNING:**

- DO NOT USE GASOLINE, NAPHTHA OR VOLATILE FUELS.
- STOP HEATER BEFORE ADDING FUELS.
- ALWAYS FILL OUTDOORS AWAY FROM OPEN FLAME.
- DO NOT USE EXTERNAL FUEL SOURCE.
- DO NOT OPERATE HEATER WHERE FLAMMABLE LIQUIDS OR VAPORS MAY BE PRESENT.
- DO NOT START HEATER WHEN CHAMBER IS HOT.
- DO NOT START HEATER WHEN EXCESS FUEL HAS ACCUMULATED IN THE CHAMBER.
- DO NOT PLACE COOKING UTENSILS ON TOP OF THE HEATER.
- PLUG ELECTRICAL CORD INTO A PROPERLY GROUNDED THREE-PRONG RECEPTACLE.

**MH50KR & MH75KTR WARNING:**

**Not suitable for use on wood floors or other combustible materials. When used the heater should rest on a suitable insulating material at least 1 inch thick and extending 3 feet or more beyond the heater in all directions.**

**CONTENTS**

WARNINGS.....	2
HEATER SPECIFICATIONS.....	3
OPERATING PRECAUTIONS.....	3
SAFETY PRECAUTIONS.....	3
OPERATING INSTRUCTIONS.....	3
MAINTENANCE, STORAGE AND SERVICE .....	4
TROUBLESHOOTING.....	6
WIRING DIAGRAM .....	7
PARTS LIST .....	8
EXPLODED VIEW .....	9
WARRANTY.....	10
INSTRUCTIONS FOR ORDERING PARTS .....	10






**LANGUAGES**

▶ ENGLISH.....	1-10
FRENCH .....	1-10
SPANISH .....	1-10

# SPECIFICATIONS

**CAUTION: CSA certified for use with only No. 1-K kerosene fuel.**

**Factory Tested: Kerosene, Diesel #1 and #2, Fuel Oil #1 and #2, JP8 (Jet A Fuel)**

Model	50KR	75KTR	125KTR	175KTR	210KTR
Burn Rate:	50,000 Btu/hr (14.7 kW)	75,000 Btu/hr (22 kW)	125,000 Btu/hr (37 kW)	175,000 Btu/hr (51 kW)	210,000 Btu/hr (61.5 kW)
Fuel Rate:	0.37 gal/hr (1.4 L/hr)	0.55 gal/hr (2.1 L/hr)	0.96 gal./hr (3.5 L/hr)	1.3 gal/hr (5.0 L/hr)	1.6 gal/hr (6.0 L/hr)
Electrical Input:	115V, 60Hz, 3.5a	115V, 60Hz, 4a	115V, 60Hz, 5.5a	115V, 60Hz, 5.5a	115V, 60Hz, 5.5a
Line Protection:	10 amps	10 amps	20 amps	20 amps	20 amps
Min. Operating Voltage:	110V	110V	110V	110V	110V
Pressure Setting:	3.5 psig (24 kPa)	4.2 psig (29 kPa)	5.0 psig (35 kPa)	6.8 psig (47 kPa)	8.4 psig (58 kPa)
Max. Outlet Temperature:	1450°F (787°C)	1450°F (787°C)	1450°F (787°C)	1450°F (787°C)	1450°F (787°C)
Fuel Tank Capacity:	4 gallons (15.1 L)	6 gallons (22.7 L)	8.45 gallons (32 L)	13.5 gallons (51 L)	13.5 gallons (51 L)
Ignition:	Direct Spark, Continuous	Direct Spark, Continuous	Direct Spark, Continuous	Direct Spark, Continuous	Direct Spark, Continuous
Spark Generator:	Igniter 13 kV, 10ma	Igniter 13 kV, 10ma	Igniter 13 kV, 10ma	Igniter 13 kV, 10ma	Igniter 13 kV, 10ma
Primary Safety Control:	Solid State Control	Solid State Control	Solid State Control	Solid State Control	Solid State Control
Certification:					

## OPERATING PRECAUTIONS

This is a kerosene, direct-fired, forced air heater. It's intended use is primarily temporary heating of buildings under construction, alteration or repair.

Direct-Fired means that all of the combustion products enter the heated space. Even though this heater operates very close to 100 percent combustion efficiency, it still produces small amounts of carbon monoxide. Carbon monoxide (called CO) is toxic. CO can build up in a heated space and failure to provide adequate ventilation could result in death. The symptoms of inadequate ventilation are:

- headache
- dizziness
- burning eyes and nose
- nausea
- dry mouth or sore throat

Be sure to follow advice about ventilation in the Safety Precautions section.

Forced Air means that a blower or fan pushes the air through the heater. Proper combustion depends upon this air flow; therefore, the heater must not be revised, modified or operated with parts removed or missing. Likewise, safety systems must not be circumvented or modified in order to operate the heater.

When the heater is to be operated in the presence of other people the user is responsible for properly acquainting those present with the safety precautions and instructions, and of the hazards involved.

## SAFETY PRECAUTIONS

1. Recommended for use with No.1-K kerosene fuel. Factory tested for use with No.2-K kerosene, No.1 or No.2 Diesel, No.1 or No.2 fuel oil or JP8 Jet A fuel and these fuels may be used as well. Never use gasoline, biodiesel, oil drained from crank cases, naphtha, paint thinners, alcohol or any other highly flammable fuels.
2. Check the heater thoroughly for damage. DO NOT operate a damaged heater.
3. DO NOT modify the heater or operate a heater which has been modified from its original condition.
4. Suitable for either outdoor or indoor use where adequate ventilation is provided. Never use in areas normally for habitation. Not for use where exposed to weather.
5. Use in well ventilated areas, provide at least 2 sq. ft. (0.19 sq. m.) of opening near the floor and 2 sq. ft. (0.19 sq. m.) near the ceiling directly to outdoors. Increase air openings as

marked for each additional heater.

6. Always keep combustibles, like paper and wood at least 8 ft. (2.4 m) from the heater outlet and 3 ft. (1.0 m) from the top, sides and inlet. Locate 10 ft. (3.0 m) from canvas or plastic coverings and secure them to prevent flapping movement.
7. Caution: Due to the high surface and exhaust temperatures, adults and children must observe clearances to avoid burns or clothing ignition. Do Not Touch. Keep children, clothing, and combustible away.
8. Install the heater such that it is not directly exposed to water spray, rain and / or water.
9. Never use in areas normally for habitation and /or where children may be present.
10. Operate only on a stable, level surface. (MH50KR & MH75KTR – See wood floor warning).
11. Do not use with duct work. Do not restrict inlet or exit.
12. Use only with electrical power specified. The electrical connection and grounding must comply with National Electrical Code – ANSI/NFPA 70 (USA) and CSA C22.1 Canadian Electrical Code, Part 1 (Canada).
13. Use only a properly grounded 3-prong receptacle or extension cord.
14. Do not move, handle, or service while hot or in operation.
15. Use only in accordance with local, state (provincial) or national requirements, ordinances and codes.

## OPERATING INSTRUCTIONS

### UNPACKING

1. Remove heater from carton.
2. Remove all protective material which may have been applied to the heater for shipment.
3. Check the heater for possible shipping damage. If any damage is found immediately contact the manufacturer at 800-251-0001.

**ASSEMBLY** (For 125,000, 175,000 and 210,000 BTU/hr models only, see figure 1, page 8.)

Wheels and handles are found in the shipping carton along with mounting hardware. The wheels, axle and mounting hardware are in a package. Tools required are a 5/16" nut driver, 3/8" open or adjustable wrench and standard pliers.

1. Assemble the wheels onto the wheel support as shown.
2. Install one of the cotter pins into the hole on one end of

axle.

- Slide the large washer, then wheel onto the axle next to the cotter pin.
- Slide the spacer onto the axle next to the wheel.
- Slide the partially assembled axle through the wheel support frame.
- Slide the spacer onto the axle next to the wheel support.
- Slide the wheel, then large washer onto the axle and hold in place with the remaining cotter pin.
- Install the caps over the larger washers to finish the wheel assembly.

### PREPARING FOR OPERATION

- Check the heater for possible shipping damage. If any is found, immediately contact the manufacturer at 800-251-0001.
- Follow all of the "Precautions".
- Fill the fuel tank with clean kerosene. In extremely cold weather, condensation may develop in the tank and it is recommended that a tablespoon of de-icer be added for each gallon (3.78 Liters) of fuel in the tank. When filling the heater, use at least 2 gallons (7.57 liters) of fuel. Be sure heater is level and do not overfill. Use a funnel or can with a long fill spout.

**IMPORTANT: Before filling fuel tank the first time or after extended storage periods, drain the fuel tank of any moisture or condensation.**

- Locate heater at a safe distance from combustible materials. Models MH50KR & MH75KTR are not suitable for use on wood floors or other combustible materials. When used, the heater should rest on suitable insulating material at least 1 inch thick and extending 3 ft. or more beyond the heater in all directions.

### HEATER START UP

- MH50KR:** Plug the heater into a grounded 115V, 60 Hz, 1 Ø outlet.

**MH75KTR, MH125KTR, MH175KTR & MH210KTR:** Turn thermostat to lowest setting, and make sure "On/Off" switch is "Off". Plug the heater into a grounded 115V, 60 Hz, 1 Ø outlet. Turn thermostat to highest setting. Start heater by pushing toggle switch to "On" position (light signifies switch is in "ON" position). Adjust thermostat to desired setting. Heater will cycle on/off as heat is required.

**EXTENSION CORD REQUIREMENTS:** Up to 100' (30.5m) use 16 awg. conductor. 101' - 200' (30.5 - 61.0m) use 14 awg. conductor.

#### For all models:

- In cold weather (below 10° F), starting may be improved by holding a finger over the vent hole of the pump adjustment screw cap until the heater starts.
- This unit is equipped with an interrupt circuit. The reset is integrated into the "On/Off" switch. If the unit does not start, toggle the switch to "Off", wait 5 min. and toggle the switch to "On".

### HEATER SHUT DOWN

- MH50KR:** Unplug heater from power source.  
**MH75KTR, MH125KTR, MH175KTR & MH210KTR:** Push "On/Off" switch to "Off" position. For extended shutdown, unplug heater from power source.

### RESTART AFTER SAFETY SHUTDOWN (MH50KR, MH75KTR, MH125KTR, MH175KTR & MH210KTR) See page 7

MH50KR - Unplug unit. Wait 5 minutes. Plug back in.

MH75KTR, MH125KTR, MH175KTR & MH210KTR - Toggle switch to "OFF" position, wait 5 minutes. Restart.

### MAINTENANCE AND STORAGE

**WARNING.** To prevent personal injury, unplug the heater from the wall outlet before servicing.

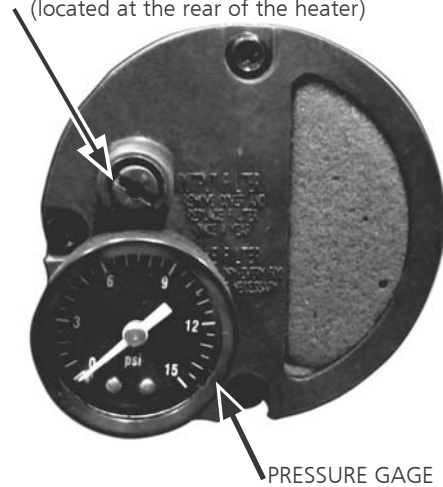
For maximum efficiency and trouble-free service, make the following periodic maintenance, cleaning and inspections.

#### ADJUSTING PUMP PRESSURE

Due to varying fuel viscosities and normal component wear the pump pressure on this heater may need to be adjusted.



#### FUEL PRESSURE ADJUSTMENT SCREW

(located at the rear of the heater)



#### ADJUSTMENT PROCEDURE

- Fill fuel tank.
- Start heater.
- Locate the pressure adjustment screw and pressure tap, pictured above, located on the back of the power pack assembly and accessible by the handle of the heater.
- Remove and the rubber cap over the fuel pressure adjustment screw.
- Using a flat bladed screw driver, turn the pump pressure adjustment screw:

- clockwise  to increase pump pressure
- counter-clockwise  to decrease pump pressure

By using the installed pressure gauge you may quantitatively calibrate the pressure. The manufacturer's recommended pump pressures are in the specifications chart on page 3.

- The desired qualitative burner characteristics are that the nose cone in the combustion chamber should be cherry red with no dark spots and the flame should not extend beyond the nose cone.

#### IMPROPER PRESSURE ADJUSTMENT

**Problem:** Heater does not have a strong consistent flame.  
Heater smokes and spits raw fuel.  
Nose cone does not get cherry red.

**Adjustment:** Pump pressure is too low.

Turn adjustment screw clockwise to increase pump pressure.

**Problem:** Flame extends beyond the end of the heater.

**Adjustment:** Pump pressure is too high.

Turn adjustment screw counter clockwise to decrease pump pressure.

## DAILY SCHEDULE

1. **GENERAL.** Make general visual inspection of heater for loose or damaged parts. Check nuts and bolts to insure against looseness caused by vibration or rough handling. Damaged parts should be repaired or replaced before using heater again. Check heater operation to be sure it is operating normally (See "Servicing" section for description of normal operation).
2. **FILTERS.** Dirty air or fuel filters will cause an imbalance in the air-fuel mixture. The best indication that this condition exists is an increase in odors or difficulty getting your heater to ignite. This heater should never be operated without the filters in place. If required, clean filters as described under "500 Hours" and "Annual Schedules".

## 500 HOUR SCHEDULE

1. **AIR INTAKE FILTER.** Remove and wash the filter element with a mild detergent, dry thoroughly and replace. Do not oil the filter element. If your heater is used where there is considerable dust or dirt, clean as often as necessary (approximately every 50 hrs.).
2. **REMOVE DUST.** Clean heater twice a season (more often under dusty conditions). Remove accumulated dust from the transformer, burner, motor and fan blades with compressed air. Wipe area clean with a clean dry cloth. Inspect area to ensure all foreign materials are removed, especially around the burner and combustion area.
3. **CAD CELL.** Clean the glass portion of the cad cell with a soft dry cloth.
4. **NOZZLE.** Accumulation of dirt from fuel and carbon from the compressor vanes will eventually fill up the passages in the nozzle, resulting in reduction of fuel and air flow. Pressure will gradually increase giving improper fuel-air mixture and excess odor and smoke. If this occurs, replace the fuel nozzle.
5. **FUEL TANK.** Clean twice a season (during frequently used periods, clean twice a month). Drain and flush the fuel tank with clean fuel oil.

## ANNUAL SCHEDULE

1. **AIR OUTPUT FILTER.** Remove the air output filter and tap the contaminated side gently on a solid object to remove contaminates. Compressed air or liquids should not be used to clean this filter. Reinstall cleaned filter in filter body in the same position as it was when removed. If the filter appears extremely dirty, replace it with a new filter of the same type. When replacing the filter cover, be sure the gasket is firmly in place and the screws in the filter cover are tight to prevent air leaks.
2. **FUEL FILTER.** Remove the fuel filter from fuel line and direct compressed air through the filter in the opposite direction of fuel flow. Safety glasses should be worn when using compressed air.
3. **AIR AND FUEL LINES.** If the air or fuel lines are removed during cleaning, be sure all connections are tight before operating unit.

## STORAGE

Store the heater in a dry location free from fumes or dust.

At the end of each heating season, clean the heater as described in the MAINTENANCE section. Drain and flush the fuel tank with clean fuel. The manufacturer recommends completely filling the tank with fuel for extended storage to minimize condensation inside the tank.

It is recommended to only store kerosene in containers that are marked "KEROSENE".

## SERVICING

A hazardous condition may result if a heater is used that has been modified or is not functioning properly.

When the heater is working normally:

- \* The flame is contained within the heater.
- \* The flame is essentially yellow.
- \* There is no strong disagreeable odor, eye burning or other physical discomfort.
- \* There is no smoke or soot internal or external to the heater.
- \* There are no unplanned or unexplained shutdowns of the heater.

## DIAGNOSTIC SAFETY SHUTDOWN AND TROUBLE SHOOTING

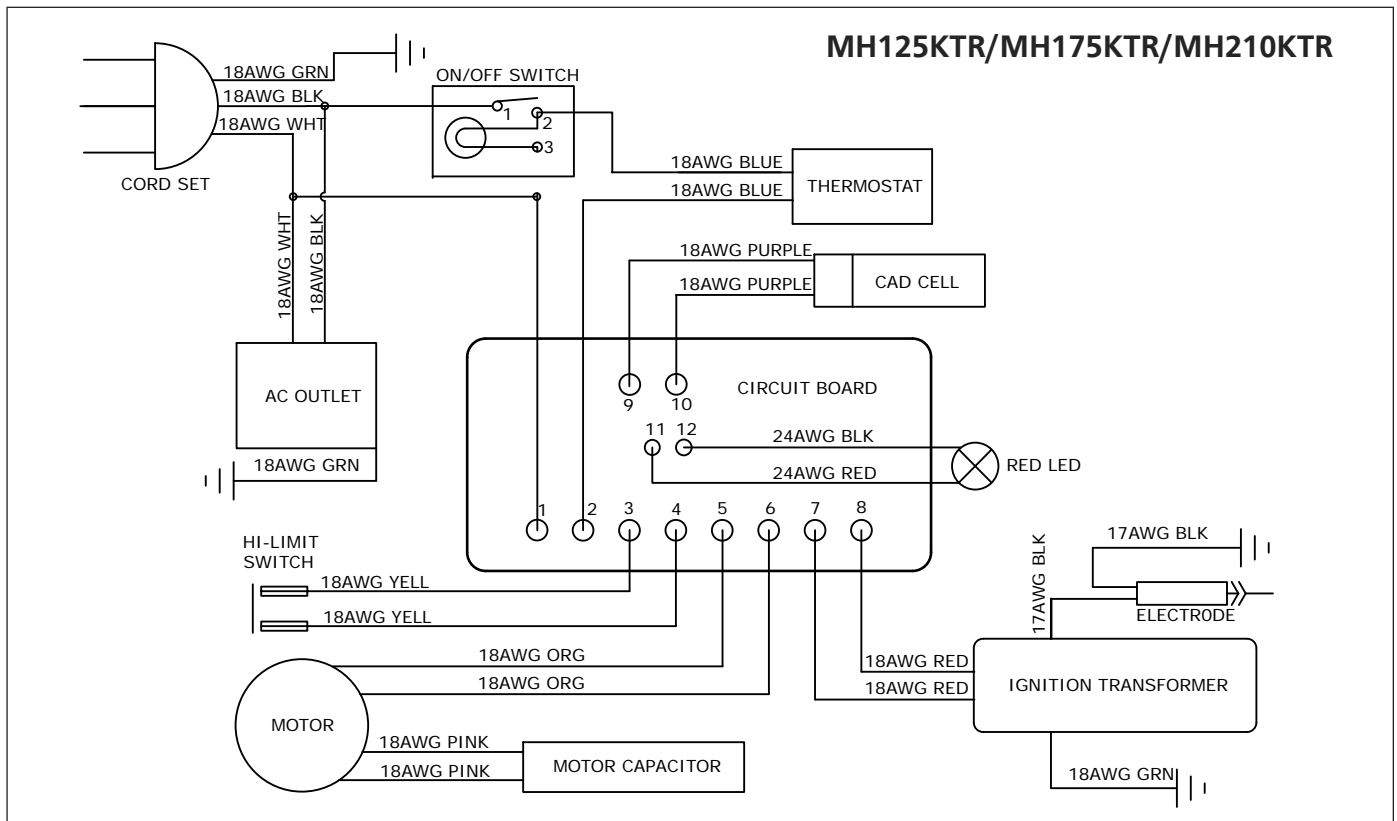
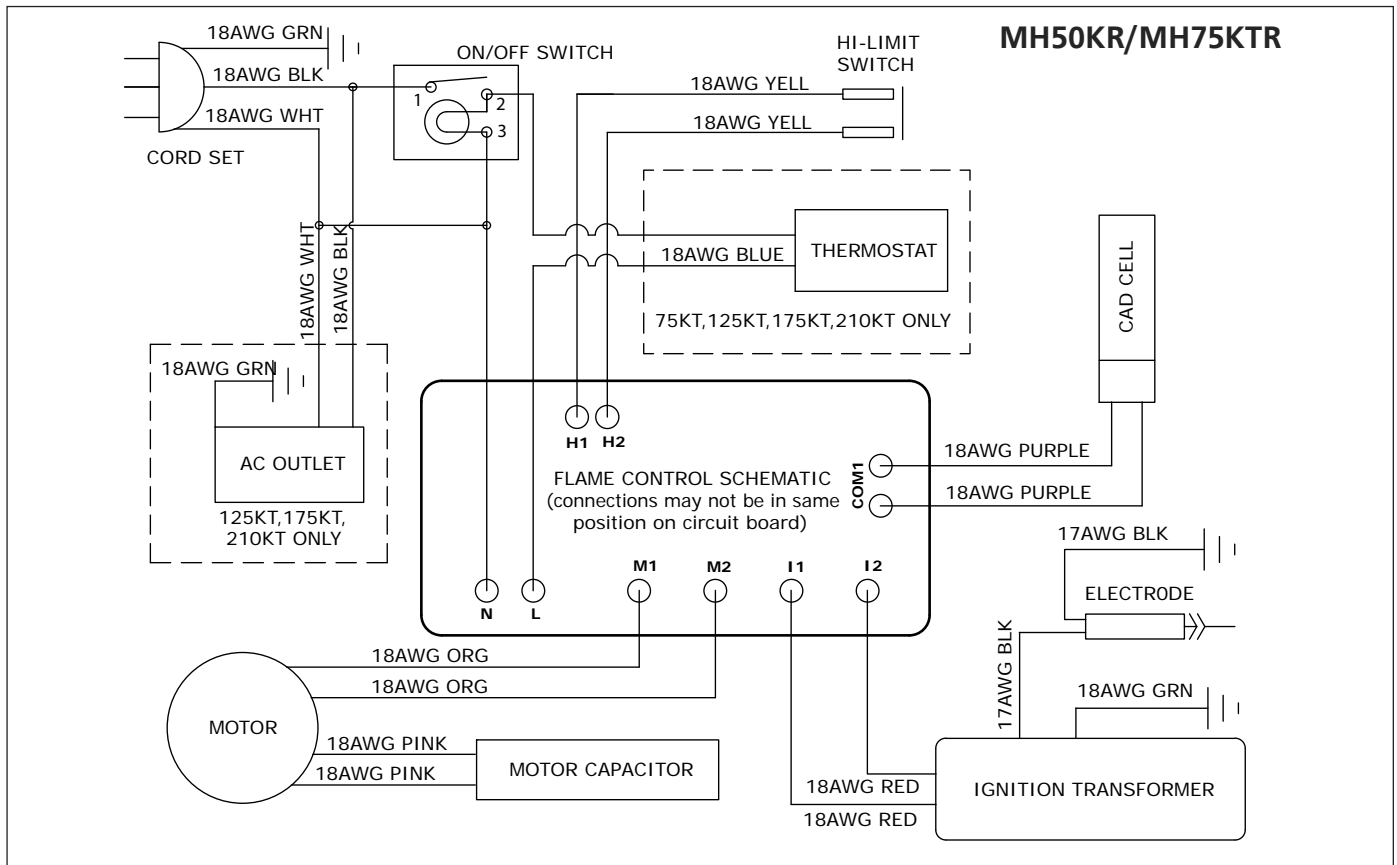
Model **MH125KTR**, **MH175KTR** and **MH210KTR** heaters are equipped with a diagnostic control board and flashing LED error indicator. This flashing LED signals indicate unit operation status. See the following diagnostic guide for unit status and corrective action if necessary.

LED	UNIT OPERATION	TROUBLE SHOOTING
Steady ON	System Check	System performing self test. No action required.
Steady OFF	Operation OK	No action required.
2 Flashes	No flame detected	<p>Heater fails to start during the first 30 sec. of operation.</p> <ol style="list-style-type: none"> <li>1. Check wiring to motor (per wiring schematic in manual).</li> <li>2. Make sure that the pressure gauge is in place and not damaged.</li> <li>3. Adjust pressure for proper heater operation per manual.</li> <li>4. With heater disconnected from AC source, rotate fan clockwise to verify motor is free.</li> <li>5. Remove air filter housing from motor and inspect the pump rotor for damage. If damaged, replace rotor assembly.</li> <li>6. If wiring is correct, pump rotor is okay, and motor is not rotating freely, replace motor or power-pack assembly.</li> <li>7. If problem persists, replace oil flame control assembly.</li> <li>8. Check for spark arching from the electrode assembly (ref. #41), to the combustion cylinder (ref. #39).</li> <li>9. Check the cad cell (ref. #38) for continuity.</li> </ol>
3 Flashes	High limit switch failure	<ol style="list-style-type: none"> <li>1. Make sure heater is cooled off, press reset switch and retry.</li> </ol>
4 Flashes	CAD Cell Failure	<ol style="list-style-type: none"> <li>1. Check wiring to cad cell (per wiring schematic in manual).</li> <li>2. Clean cad cell photo cell. <ul style="list-style-type: none"> <li>• Slide cad cell out of cad cell holder.</li> <li>• Push the photo cell out of the black rubber cad cell housing by pushing on the 2 purple wires.</li> <li>• Clean the photo cell with a soft cloth and rubbing alcohol.</li> <li>• Pull the photo cell back into the cad cell housing and reinstall into holder.</li> <li>• Test heater.</li> </ul> </li> <li>3. If the heater still does not operate, replace cad cell.</li> <li>4. Replace oil flame control assembly.</li> </ol>
Power Light	Power to control	<ol style="list-style-type: none"> <li>1. Sensing power. No action required.</li> </ol>

Model **MH50KR** and **MH75KTR** heaters are NOT equipped with a diagnostic control board or flashing LED error indicator. See the following troubleshooting guide for unit status and corrective action if necessary.

SYMPTOM	TROUBLE SHOOTING
High limit switch Open Circuit	<ol style="list-style-type: none"> <li>1) Make sure heater is cooled off, toggle switch to "OFF" position, wait 5 minutes and retry.</li> </ol>
Sparks, calling for flame, but no or slow motor operation	<ol style="list-style-type: none"> <li>1) Check wiring to motor (per wiring schematic in manual).</li> <li>2) Make sure that the pressure gauge is in place and not damaged.</li> <li>3) Adjust pressure for proper heater operation per manual.</li> <li>4) With heater disconnected from AC source, rotate fan clockwise to verify motor is free.</li> <li>5) Remove air filter housing from motor and inspect the pump rotor for damage. If damaged, replace rotor assembly.</li> <li>6) If wiring is correct, pump rotor is okay, and motor is not rotating freely, replace motor or power-pack assembly.</li> <li>7) If problem persists, replace oil flame control assembly.</li> <li>8) Check for spark arching from the electrode assembly, to the combustion cylinder.</li> <li>9) Check the cad cell for continuity.</li> </ol>
No Spark	<ol style="list-style-type: none"> <li>1) Check length and gage of extension cord for proper amp. draw. (Check requirements on page 4.)</li> <li>2) Check wiring to igniter (per wiring schematic in manual).</li> <li>3) Check gap between electrode probes (2.3 - 3 mm).</li> <li>4) Still no spark, replace igniter assembly.</li> <li>5) Replace oil flame control assembly.</li> </ol>
Abnormal Motor Operation - Motor overheats or Stops	<ol style="list-style-type: none"> <li>1) Motor speed too low (Motor should operate at 3450rpm) - Replace motor.</li> <li>2) With heater disconnected from AC source, rotate fan clockwise to verify motor is free.</li> <li>3) Remove air filter housing from motor and inspect the pump rotor for damage. If damaged, replace rotor assembly.</li> <li>4) If wiring is correct, pump rotor is okay, and motor is not rotating freely, replace motor or power-pack assembly.</li> <li>5) Replace oil flame control assembly.</li> </ol>
Unable to Detect Flame	<ol style="list-style-type: none"> <li>1) Check wiring to cad cell (per wiring schematic in manual).</li> <li>2) Clean cad cell photo cell. <ol style="list-style-type: none"> <li>a) Slide cad cell out of cad cell holder.</li> <li>b) Push the photo cell out of the black rubber cad cell housing by pushing on the 2 purple wires.</li> <li>c) Clean the photo cell with a soft cloth and rubbing alcohol.</li> <li>d) Pull the photo cell back into the cad cell housing and reinstall into holder.</li> <li>e) Test heater.</li> </ol> </li> <li>3) If the heater still does not operate, replace cad cell.</li> <li>4) Replace oil flame control assembly.</li> </ol>
Flame Control Failure	<ol style="list-style-type: none"> <li>1) Check wiring in heater (per wiring schematic in manual).</li> <li>2) Replace oil flame control assembly.</li> </ol>

# WIRING DIAGRAM



The parts lists and wiring diagram show the heater as it was constructed. Do not use a heater which is different from that shown. Heater performance is effected by air pressure setting. If there is any uncertainty about the air pressure

setting, have it checked.

A heater which is not working right must be repaired, but only by a trained, experienced service person.

# PARTS LIST

Ref.	Item #	Item #	Item #	Item #	Description	Ref.	Item #	Item #	Item #	Item #	Description	
MH50KR MH75KTR MH125KTR MH175KTR MH210KTR						MH50KR MH75KTR MH125KTR MH175KTR MH210KTR						
1	21036	21036	21036	21036	21036	29	21866	21866	21867	21867	21867	Flame Control Ass'y
2	26958	26970	26974	27112	27112	30	21816	21816	21816	21816	21816	Flame Control Bracket
3	****	21883	21884	21885	21886	31	F226865	F226865	F226865	F226865	F226865	cad cell Flame Sensor
4	26960	26967	26975	26975	26975	32	21882	21868	21869	21870	21871	Comb.Chamber Cyl.Ass'y
5	21686	24343	24346	24346	24346	33	26959	26959	26959	26959	26959	Fuel Cap
6	21835	21836	21837	21837	21837	34	26910	26910	26910	26910	26910	Fuel Cap Gasket
7	24011	24011	24011	24011	24011	35	27339	21817	21818	21818	21818	Motor
8	28779	28779	28792	28793	28793	36	27790	27790	28739	28739	28739	Nozzle Adapter
9	23449	23449	23449	23449	23449	37	27421	28740	26885	26866	26866	Fan
10	26957	27144	26973	27111	27111	38	22142	22142	22142	22142	22142	Igniter Assembly
11	21844	27143	26972	27110	27110	39	F227416	F221878	F221879	F221889	F221891	Fuel Air Aspir. Nozzle
12	21854	26966	26971	27109	27109	40	26223	26223	26223	26223	26223	Strain Relief Bushing
13	21864	21864	21865	21865	21865	41	F221857	F221857	F221857	F221857	F221857	Electrode Assembly
14	****	28788	28735	28735	28735	42	21820	21820	21820	21820	21820	Electrode Insulated Cover
15	23725	23725	24345	24345	24345	43	21821	21821	21821	21821	21821	Hose Barb Adapter
16	26225	26225	26225	26225	26225	44	****	21822	21822	21822	21822	Thermostat Knob
17	26962	21794	26901	22105	22105	45	****	21734	21734	21734	21734	Thermostat Assembly
18	F226831	F226831	F226831	F226831	F226831	46	28785	28785	28785	28785	28785	ON/OFF Switch
						47	****	28791	28778	22185	22185	Fuel Gauge
19	****	26898	26898	26898	26898	48	26964	21888	27107	27116	27116	Control Panel
20	****	22104	22104	22104	22104	49	26965	26968	27108	27117	27117	Control Panel Back
21	26833	26833	26833	26833	26833	50	28786	28786	28786	28786	28786	Pressure Gauge, Round
22	21810	21810	21810	21810	21810	51	27925	27925	****	****	****	Handle
23	21812	21812	21812	21812	21812	52	21813	21813	21813	21813	21813	Gasket, Outlet Filter
24	****	****	22257	22257	22257	*	24171	24171	****	****	****	Nozzle mtg. plate
25	F221887	F221887	F221887	F221887	F221887	*			26227	26227	26227	Snap Bushing
26	21814	21814	21814	21814	21814	*	27429	27429	27429	27429	27429	Nozzle Ext. Retaining Ring
27	21815	21815	21815	21815	21815	*	28745	28745	****	****	****	Fuel Line Bushing
28	F266842	F266842	F266842	F266842	F266842	*	****	22146	22146	22146	22146	Bracket Thermostat Mtg.
						*	****	26070	26070	26070	26070	Clamp Loop
						*	Not shown in the drawing					

# PARTS LIST

Ref.	Item #	Item #	Item #	Description
MH125KTR MH175KTR MH210KTR				
1	22169	22169	22169	Wheel Assembly, 10"
2	27127	27129	27129	Upper Handle w/Spring Clips
*	27174	27174	27174	Lower Handle, Right
3	22173	22173	22173	Lower Handle, Left
*	27105	27105	27105	Leg Support, Right
4	27105	27105	27105	Leg Support, Left
5	27104	27132	27133	Support Leg
6	27128	27130	27131	Front Handle
7	28749	28749	28749	Large Retainer Washer
8	28750	28750	28750	Colter Pin
9	28751	28751	28751	Hub Cap
10	28754	28754	28754	Extension Cord Caddy
11	21897	21897	21897	Wheel Spacer
12	22168	22184	22184	Axel
*	28787	28787	28787	Hardware Package

\* Not shown in drawing

Handle and wheel assembly for MH125KTR, MH175KTR & MH210KTR only.

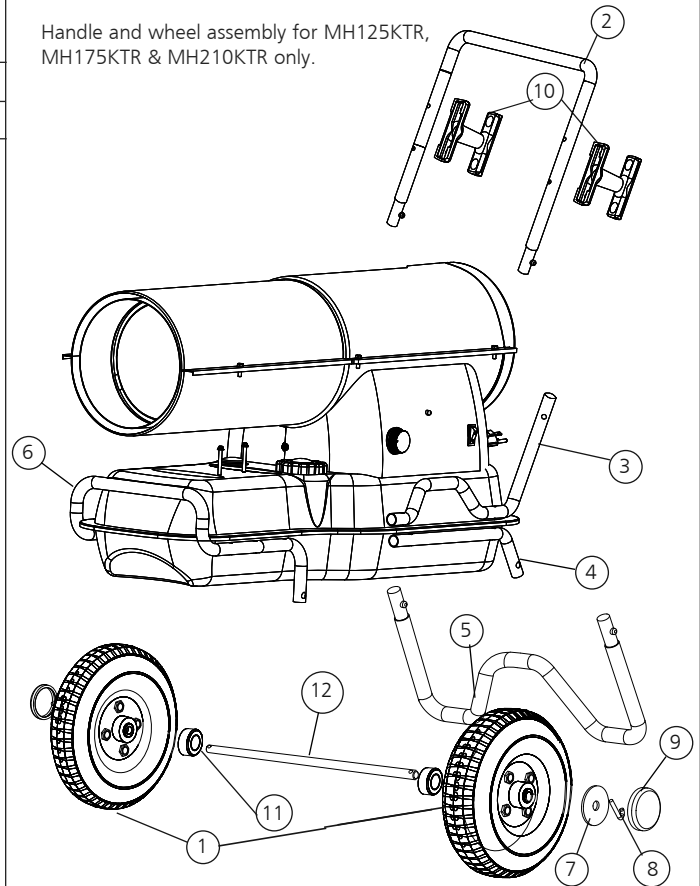
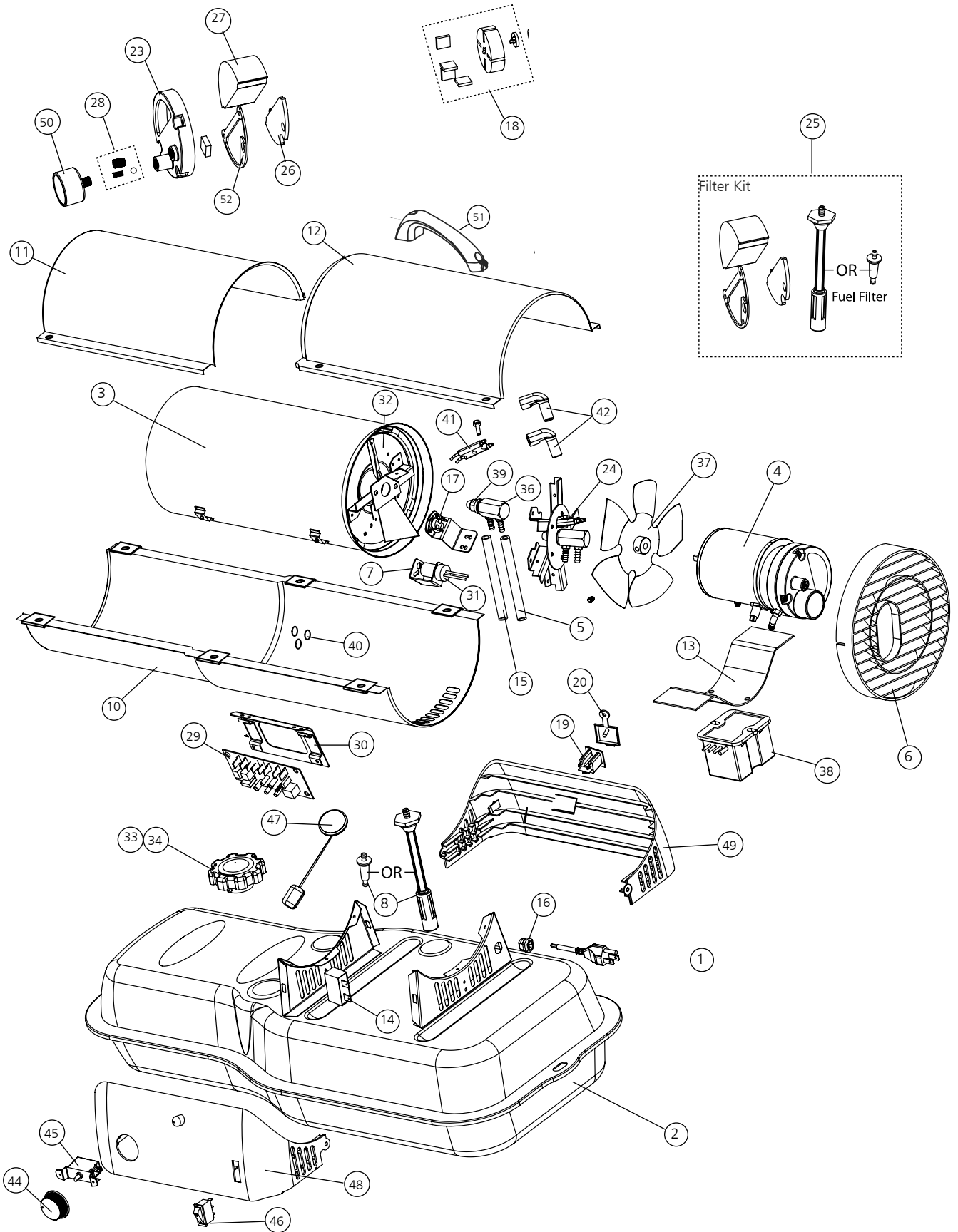


Figure 1.



Kerosene Forced Air Heater • Model MH50KR, MH75KTR, MH125KTR, MH175KTR, MH210KTR





# OPERATING INSTRUCTIONS AND OWNER'S MANUAL

Model #

MH50KR, MH75KTR,  
MH125KTR, MH175TR,  
MH210KTR



## WARNING:

USE ONLY MANUFACTURER'S REPLACEMENT PARTS. USE OF ANY OTHER PARTS COULD CAUSE INJURY OR DEATH. REPLACEMENT PARTS ARE ONLY AVAILABLE DIRECT FROM THE FACTORY AND MUST BE INSTALLED BY A QUALIFIED SERVICE AGENCY.

## PARTS ORDERING INFORMATION:

**PURCHASING:** Accessories may be purchased at any Mr. Heater local dealer or direct from the factory

## FOR INFORMATION REGARDING SERVICE

Please call Toll-Free 800-251-0001  
[www.mrheater.com](http://www.mrheater.com)

Our office hours are 8:00 AM – 5:00 PM, EST, Monday through Friday.

Please include the model number, date of purchase, and description of problem in all communication.

## LIMITED WARRANTY

Mr. Heater, Inc. warrants its heaters and accessories to be free from defects in material and workmanship for a period of 1 year from date of purchase. Mr. Heater, Inc. will repair or replace this product free of charge if it has been proven to be defective within the 1-year period, and is returned at customer expense with proof of purchase to Mr. Heater, Inc. within the warranty period.

Some states do not allow the exclusion or limitation of incidental or consequential damages, so the above limitation or exclusion may not apply to you. This Warranty gives you specific legal rights, and you may have other rights which vary from state to state.

Mr. Heater, Inc. reserves the right to make changes at any time, without notice or obligation, in colors, specifications, accessories, materials and models.

MR. HEATER, INC., 4560 W. 160TH ST., CLEVELAND, OHIO 44135 • 800-251-0001  
Mr. Heater is a registered trademarks of Mr. Heater, Inc.  
© 2017, Mr. Heater/Mr. Heater. All rights reserved



UL733, CSA B140.8, CSA B140.9.3