

OPERATING INSTRUCTIONS AND OWNER'S MANUAL



ELECTRIC FORCE AIR HEATER

Model #

MH165FAET
MH360FAET

READ INSTRUCTIONS CAREFULLY: Read and follow all instructions. Place instructions in a safe place for future reference. Do not allow anyone who has not read these instructions to assemble, adjust or operate the heater.



Languages included

- English
- Spanish
- French

⚠ WARNING: If the information in this manual is not followed exactly, a fire or explosion may result causing property damage, personal injury or loss of life.

- This heater has hot or arcing parts inside. Do not use it in areas where gasoline, paint or other flammable liquids are used or stored.
- Service must be performed by a qualified service agency.

Definitions: Safety Guidelines IMPORTANT INSTRUCTIONS.

The definitions below describe the level of severity for each signal word. Please read the manual and pay attention to these symbols.

⚠ Danger: Indicates an imminently hazardous situation which, if not avoided, **will** result in **death or serious injury**.

⚠ Warning: Indicates a potentially hazardous situation which, if not avoided, **could** result in **death or serious injury**.

⚠ Caution: Indicates a potentially hazardous situation which, if not avoided, **may** result in **minor or moderate injury**.

NOTICE: Indicates a practice not related to personal injury which, if not avoided, **may** result in **property damage**.

⚠ WARNING: DO NOT OPERATE THIS HEATER UNTIL YOU READ AND UNDERSTAND THIS INSTRUCTION MANUAL FOR SAFETY, OPERATION, AND MAINTENANCE INSTRUCTIONS.

⚠ CAUTION: Use of this heater in any means not described in this manual may cause fire, electric shock, personal injury and/or property damage.

⚠ CAUTION: This heater is hot when in use. To avoid burns, do not let bare skin touch hot surfaces. Keep combustible materials, such as furniture, pillows, bedding, papers, clothes, and curtains at least 6 feet (1.8 m) from the front of the heater and keep them at least 2 feet (.6 m) away from the sides and rear

⚠ CAUTION: In order to avoid unintended cycling of the heater, always unplug or unit from power source when not in use.

⚠ CAUTION: Do not cover the power supply wiring or run the wiring under any carpet or rugs. Arrange cord and connections away from traffic patterns so it is not a tripping hazard.

⚠ CAUTION: Connect unit to only properly grounded outlets and adequately sized and grounded electrical systems.

⚠ CAUTION: Do not use this unit with unapproved or under sized electrical connections or wiring. They may overheat and cause a risk of fire.

⚠ WARNING: UNIT NOT INTENDED FOR US IN INDOOR AREAS WHERE HEATER MAY BE EXPOSED TO WATER. AVOID USE IN BATHROOMS, LAUNDRY ROOMS OR ANY OTHER AREAS WHERE THE UNIT MAY COME IN CONTACT WITH WATER.

⚠ WARNING: Do not use the heater if the unit, plug or cord has visible damage or the unit has malfunctioned. Contact a reputable electrician before reusing.

⚠ WARNING: Do not expose to wet conditions; unit is intended for indoor use only.

⚠ WARNING: This heater is not intended for use in bathrooms, laundry areas and similar indoor locations. Never locate heater where it may fall into a bathtub or other water container.

⚠ WARNING: Do not insert or allow any foreign objects to enter the unit via the intake or exhaust vents on the unit. Failure to observe this warning may result in electric shock, fire or damage to the unit.

⚠ WARNING: To prevent fire do not block either the air intake or exhaust in any manner. Do not use on soft surfaces like a bed, where openings may get blocked.

⚠ WARNING: Unit is equipped with internal active electrical components that spark during use. Do not use in areas where fumes from gasoline, paint or other flammable liquids may be present.

⚠ WARNING: Extreme caution must be used when any heater is used by or near children or invalids and whenever the heater is left operating and unattended.

⚠ WARNING: Do not operate any heater with a damaged cord or plug or after the heater malfunctions, has been dropped or damaged in any manner. Discard heater, or return to authorized service facility for examination and/or repair.

⚠ WARNING: Do not use outdoors.

⚠ WARNING: Use this heater only as described in this manual. Any other use not recommended by the manufacturer may cause fire, electric shock, or injury to persons.

SAVE THESE INSTRUCTIONS.

CONTENTS

WARNINGS.....	2
ASSEMBLY	3
OPERATING	3
SPECIFICATIONS.....	3
CLEARANCES.....	3
MAINTENANCE	3
TROUBLE SHOOTING	4
WIRING DIAGRAM Model MH165FAET	4
PARTS LIST/EXPLODED VIEW Model MH165FAET	5
WIRING DIAGRAM Model MH360FAET.....	6
PARTS LIST/EXPLODED VIEW Model MH360FAET.....	7
WARRANTY	8
INSTRUCTIONS FOR ORDERING PARTS.....	8

LANGUAGES


▶ ENGLISH	1-8
SPANISH	1-8
FRENCH	1-8

GENERAL INFORMATION


RETAIN THIS MANUAL FOR FUTURE REFERENCE. FOR QUESTIONS, PROBLEMS, MISSING PARTS BEFORE RETURNING TO RETAILER PLEASE CALL WITH MODEL NUMBER AND SERIAL NUMBER OF HEATER: 1-800-321-0001

MONDAY-FRIDAY 8-5 PM EASTERN TIME
OR E-MAIL USING THE MR. HEATER WEBSITE:
WWW.MRHEATER.COM

In order to provide the best service possible Mr. Heater is now giving you more ways to get in touch with us:

 FACEBOOK: Find us on Facebook

 TWITTER: Find us on twitter

 YouTube: There are now informational videos on YouTube.

WEBSITE: Mr. Heater's full line of product are now at
WWW.MRHEATER.COM

SPECIFICATIONS

Model:	MH165FAET	MH360FAET
Heat Output BTU/WATTS	5118/1500	12286/3600
Airflow (CFM)	200	325
Electrical Supply	120Vac	240Vac
Thermostat	32 F - 185 F	32 F - 185 F
Power Cord	6' POWER CABLE INCLUDED	6' POWER CABLE INCLUDED
Dimensions: (L"xW"xH")	13.18"x12.2"x13.97"	14.37"x13.77"x16.14"
Weight (lbs.)	9.6 LBS.	12 LBS.
Clearance to Combustibles		
Outlet (M)	6' (1.8M)	6' (1.8M)
Rear (M)	2' (.6M)	2' (.6M)
Top (M)	2' (.6M)	2' (.6M)
Bottom (M)	Use only on non-combustible flooring	

Assembly

- Remove the heater and all of the packaging material from the box.
- Check all of the packing material for loose parts and set aside.
- Thoroughly inspect the heater for damage. If any is found do not contact the place of purchase. Please call the Manufacturer at 800-251-0001.

Operational Information

The Mr. Heater Electric forced air heaters are designed to be used by professionals.

Heat is created by electric current passing through coiled metal elements bringing them up to very high temperatures. The fan then passes room air over the hot elements exchanging cold air for warm.

The air moving over the coils keeps them from reaching temperatures that are not safe for the normal operation of the heater. However it is important to keep all combustible materials and any objects that may be sucked into the fan blades at a safe distance (please refer to the specification table for appropriate clearances). Make sure that the fan blades remain unobstructed at all times. Keep unit clean and dust free. Do not block unit intake or exhaust at any time.

These units are designed to be used only with the cord and plug supplied with the unit. Do not use any plug other than the one supplied by the manufacturer. For information on which receptacle is appropriate, Refer to Figure 1 and find the diagram that corresponds to your heater.

If damage has occurred please refer to the parts listing in this manual and contact the manufacturer for a replacement.

⚠️WARNING: Outlet must be properly grounded, failure to do so may result in electric shock or property damage.

⚠️WARNING: Always plug heaters directly into a wall outlet/receptacle. Never use with an extension cord or re-locatable power tap (outlet/power strip).

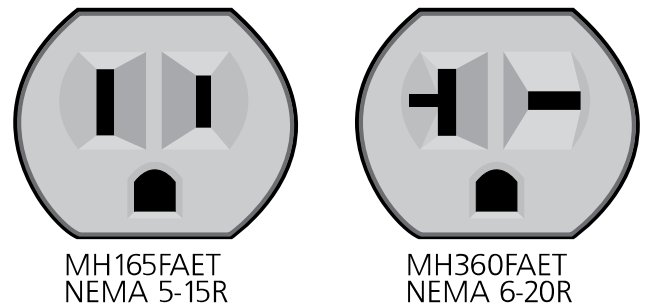
Starting Instructions

- Place the heater on a stable and level surface. Insure clearance to combustibles are observed (See clearances in the specification table).
- Turn thermostat counter-clockwise to lowest setting.
- Plug the heater into a properly grounded outlet.
- Rotate the power knob to the heating position. These units are equipped with a fan only option for circulating air. For heating be sure to rotate the knob to the appropriate setting.

5. Turn thermostat knob up (clockwise) to the desired setting.

6. The Heating element and fan will remain on until the temperature setting is reached. The unit will cycle on and off as needed.

Figure 1



To Stop Heating

- Rotate the thermostat knob to the lowest position.
- Flip the power switch into the "off" position.
- Disconnect plug from power supply.

NOTE: This heater is equipped with an overheat limit switch which may cause the heater to stop. This is indicated by a visual alarm when the power switch is in the "ON" position and the "fault" light comes on. Check and remove the cause of the overheating before restarting. This can take up to 10 minutes to cool before it can be restarted.

Maintenance

⚠️WARNING:

Never attempt to service the heater while the unit is hot, In use, or plugged in. Only qualified service technicians should service these units.

- Thoroughly inspect the unit prior to use.
- Keep heater clean and free of dust and debris.
- The use of an air compressor can be used to blow out the dust from the heater case. Be sure to only use moderate air pressure as to not damage any internal components.
- A soft dry cloth should be used for cleaning of outer shell and handle.
- The fan motor is sealed and does not need to be lubricated.

Storage

When not in use, the heater must be disconnected from power source, dusted off and the cord should be loosely wound around the handle.

For service :

Please call Toll-Free 800-251-0001 www.mrheater.com
Our office hours are 8:00 AM – 5:00 PM, EST, Monday through Friday. Please include the model number, date of purchase, and description of problem in all communication.

CONTROL

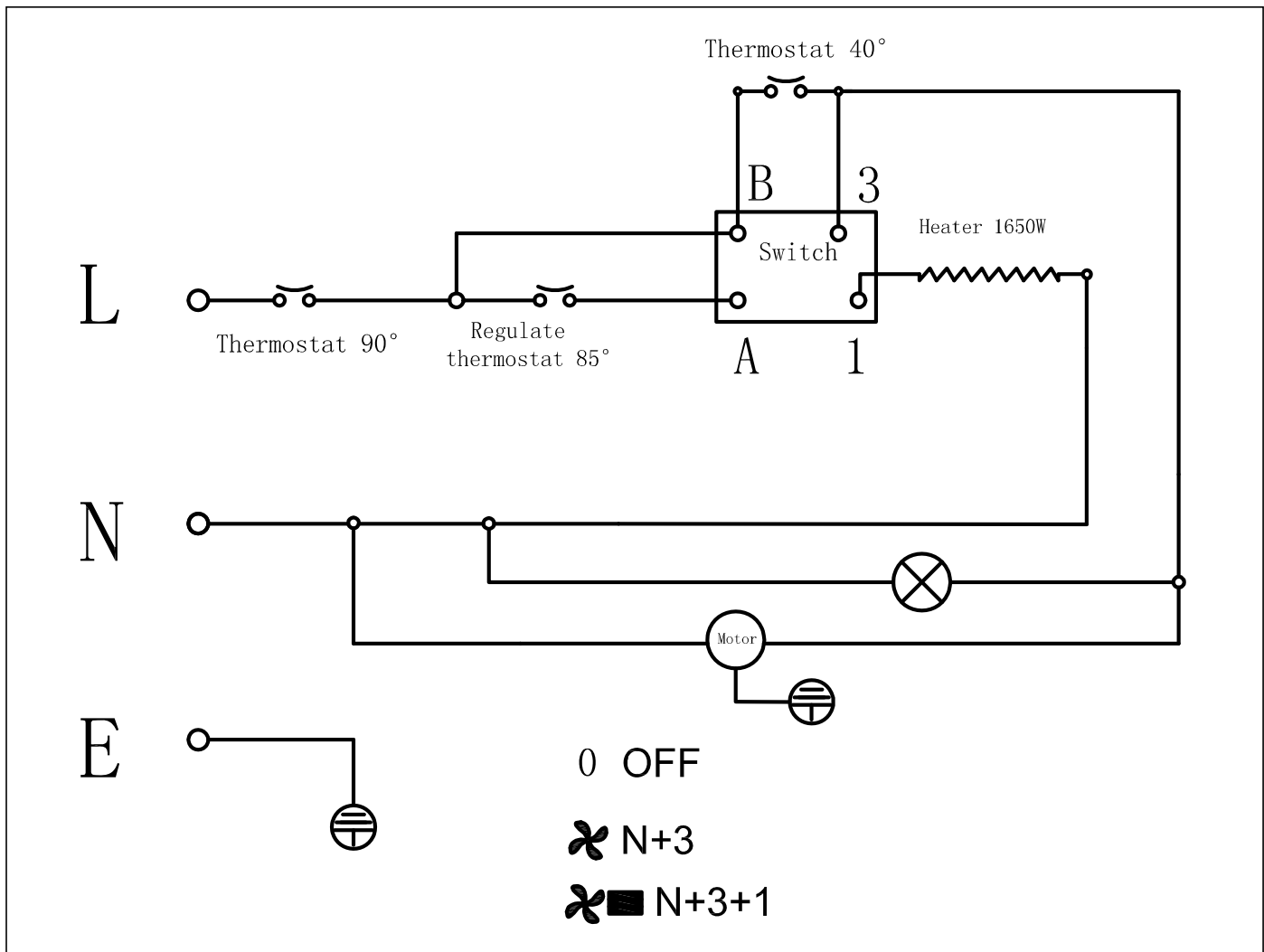


Troubleshooting

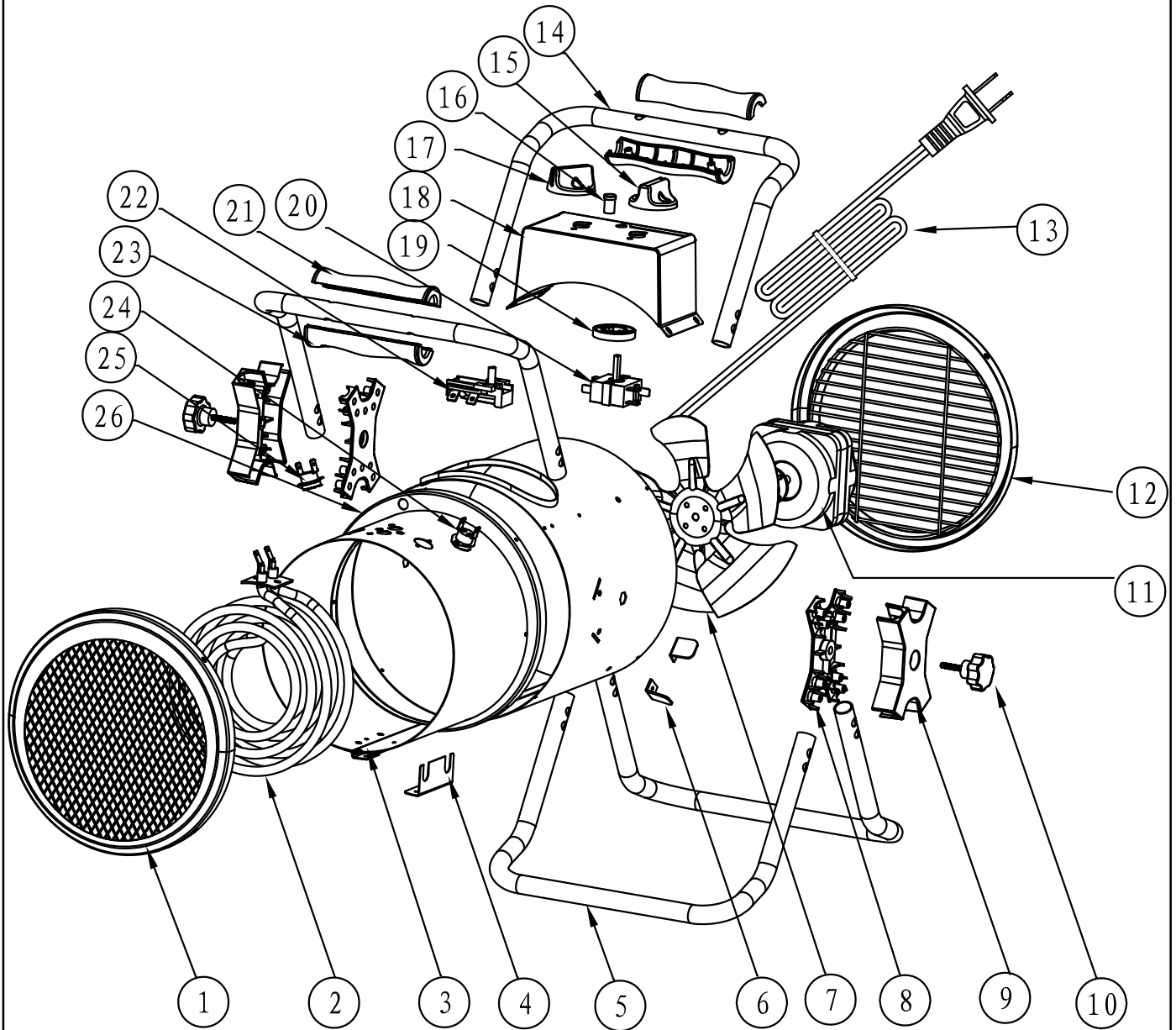
Unit does not work	<ul style="list-style-type: none"> • Defective thermostat or wrong thermostat setting • Open circuit breaker or fuse • Thermal overload switch has been tripped • Damaged or defective plug or outlet
Unit runs continuously	<ul style="list-style-type: none"> • Defective thermostat or wrong thermostat setting • Heat losses higher than unit capacity (unit undersized)
Elements are on but motor does not rotate	<ul style="list-style-type: none"> • Defective Motor • Blocked fan blades
Enclosure is extremely hot	<ul style="list-style-type: none"> • Defective thermal protection • Blocked air vents • Defective motor
Desired room temperature cannot be reached	<ul style="list-style-type: none"> • One or more elements are defective • Defective thermostat or wrong thermostat setting • Voltage lower than that written on Rate tag • Heat losses higher than unit capacity (unit undersized)
Overheating	<ul style="list-style-type: none"> • Defective thermostat or blocked inlet or outlet (HLS tripped) • Defective Motor (slow motor operation)

⚠ WARNING: USE ONLY MANUFACTURER'S REPLACEMENT PARTS. USE OF ANY OTHER PARTS COULD CAUSE INJURY OR DEATH. REPLACEMENT PARTS ARE ONLY AVAILABLE DIRECT FROM THE FACTORY AND MUST BE INSTALLED BY A QUALIFIED SERVICE AGENCY.

WIRING DIAGRAM MH165FAET



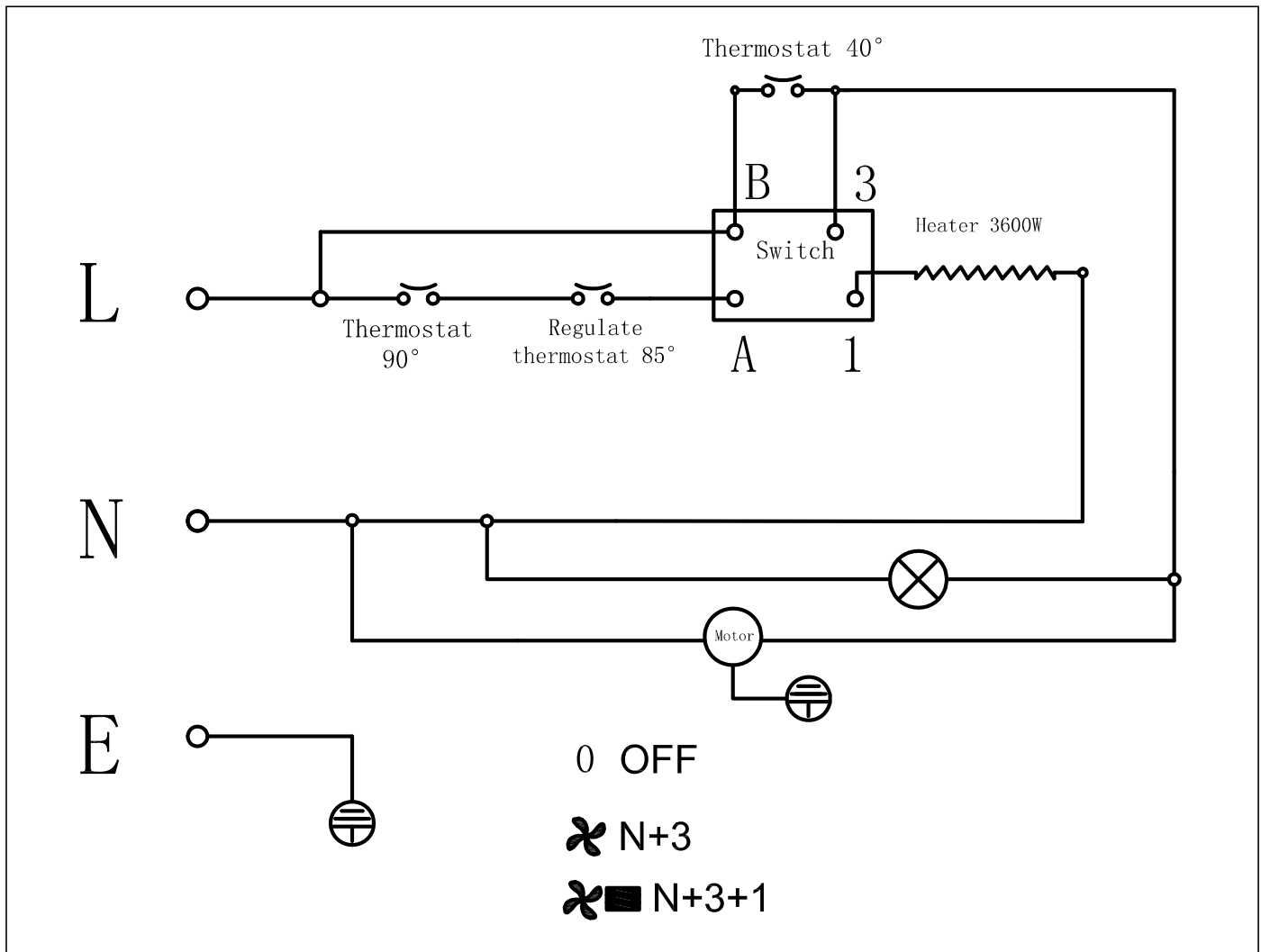
MH165FAET



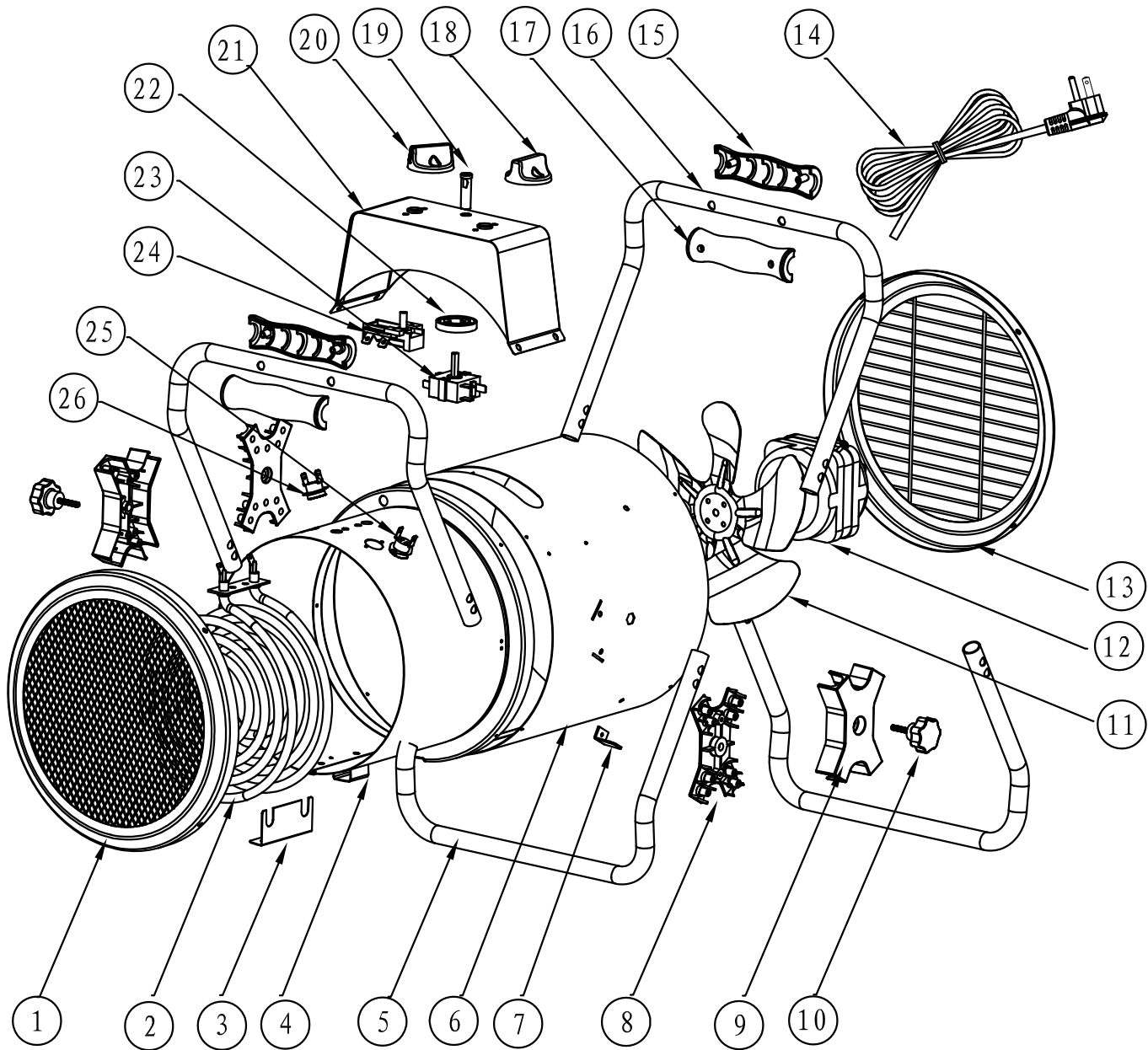
#	P/N	DESCRIPTION	QTY
1	41200	Outlet screen	1
2	41201	Heating Coil	1
3	41202	Internal Chamber	1
4	41203	Coil Support	1
5	41204	Legs	2
6	41205	Angle Guards	4
7	41206	Fan Blade	1
8	41207	Leg/Handle Bracket Backer	2
9	41208	Leg/Handle Bracket Retainer	2
10	41209	Angle Adjustment Retention Knob	2
11	41210	Fan Motor	1
12	41211	Inlet Screen	1
13	41212	Power Cord With Plug	1

#	P/N	DESCRIPTION	QTY
14	41213	Handles	2
15	41214	Thermostat Knob	1
16	41215	Fault LED	1
17	41216	Control Knob	1
18	41217	Control Box	1
19	41218	Thermostat Coil Spring	1
20	41219	Thermostat	1
21	41220	Top Handle	2
22	41221	Control Switch	1
23	41222	Bottom Handle	2
24	41223	High Limit Switch	1
25	41224	High Limit Switch	1
26	41225	Outer Barrel	1

WIRING DIAGRAM MH360FAET



MH360FAET



#	P/N	DESCRIPTION	QTY
1	41226	Outlet screen	1
2	41227	Heating Coil	1
3	41203	Coil Support	1
4	41228	Internal Chamber	1
5	41229	Legs	2
6	41230	External Barrel	4
7	41205	Angle Guards	1
8	41207	Leg/Handle Bracket Backer	2
9	41208	Leg/Handle Bracket Retainer	2
10	41209	Angle Adjustment Retention Knob	2
11	41231	Fan Blade	1
12	41232	Fan Motor	1
13	41233	Inlet Screen	1

#	P/N	DESCRIPTION	QTY
14	41234	Power Cord	1
15	41220	Top Grip	2
16	41235	Handle	1
17	41222	Bottom Grip	1
18	41236	Thermostat Knob	1
19	41215	Power LED	1
20	41216	Control Knob	1
21	41238	Control Box	2
22	41218	Thermostat Coil Spring	1
23	41219	Thermostat	2
24	41221	Control Switch	1
25	41223	High Limit Switch K40	1
26	41224	High Limit Switch 80C	1



OPERATING INSTRUCTIONS AND OWNER'S MANUAL

Model #

MH165FAET
MH360FAET



WARNING:

USE ONLY MANUFACTURER'S REPLACEMENT PARTS. USE OF ANY OTHER PARTS COULD CAUSE INJURY OR DEATH. REPLACEMENT PARTS ARE ONLY AVAILABLE DIRECT FROM THE FACTORY AND MUST BE INSTALLED BY A QUALIFIED SERVICE AGENCY.

PARTS ORDERING INFORMATION:

PURCHASING: Accessories may be purchased at any Mr. Heater local dealer or direct from the factory

FOR INFORMATION REGARDING SERVICE

Please call Toll-Free 800-251-0001
www.mrheater.com

Our office hours are 8:00 AM – 5:00 PM, EST, Monday through Friday.

Please include the model number, date of purchase, and description of problem in all communication.

LIMITED WARRANTY

Mr. Heater, Inc. warrants its heaters and accessories to be free from defects in material and workmanship for a period of 1 year from date of purchase. Mr. Heater, Inc. will repair or replace this product free of charge if it has been proven to be defective within the 1-year period, and is returned at customer expense with proof of purchase to Mr. Heater, Inc. within the warranty period.

Mr. Heater, Inc. reserves the right to make changes at any time, without notice or obligation, in colors, specifications, accessories, materials and models.

MR. HEATER, INC., 4560 W. 160TH ST., CLEVELAND, OHIO 44135 • 800-251-0001
Mr. Heater is a registered trademarks of Mr. Heater, Inc.
© 2017, Mr. Heater/Mr. Heater. All rights reserved



INSTRUCCIONES DE USO Y MANUAL DEL USUARIO



CALEFACTOR ELÉCTRICO A AIRE FORZADO

Modelo #

MH165FAET
MH360FAET

LEA CUIDADOSAMENTE LAS INSTRUCCIONES: Lea y siga todas las instrucciones. Conserve estas instrucciones en un lugar seguro para futura referencia. No permita que nadie que no haya leído estas instrucciones arme, ajuste o use el calefactor.



Idiomas incluidos



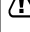
- Inglés
- Español
- Francés

⚠ ADVERTENCIA: Si no se siguen al pie de la letra las instrucciones de este manual, podría producirse un incendio o una explosión que provocaría daños materiales, lesiones o muertes.

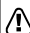
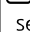
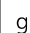



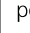
- Este calefactor tiene partes calientes o que pueden producir chispas en su interior. No lo utilice en áreas donde se utiliza o se guarda gasolina, pintura o líquidos inflamables.
- El mantenimiento debe realizarlo una agencia de servicios calificada.

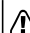
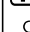
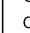
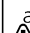
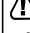

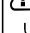
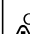
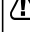
Definiciones: Indicaciones de seguridad - INSTRUCCIONES IMPORTANTES

Las siguientes definiciones describen el nivel de severidad para cada una de estas señales. Lea el manual y preste atención a estos símbolos.

-  **Peligro:** Indica una situación inminente de peligro, la que si no se evita, **causaría lesiones graves o la muerte.**
-  **Advertencia:** Indica una situación potencial de peligro, la que si no se evita, **podría causar lesiones graves o la muerte.**
-  **Cuidado:** Indica una situación potencial de peligro, la que si no se evita, **podría resultar en lesiones menores o moderadas.**
- AVISO:** Indica una práctica no relacionada con heridas personales que, si no se evita, **podría causar daños materiales.**

ADVERTENCIA: NO USE ESTE CALEFACTOR HASTA HABER LEÍDO Y COMPRENDIDO ESTE MANUAL DE INSTRUCCIONES DE SEGURIDAD, OPERACIÓN Y MANTENIMIENTO.

-  **CUIDADO:** Emplear este calefactor de cualquier forma que no sea la descrita en este manual puede provocar incendios, descargas eléctricas, lesiones y/o daños materiales.
-  **CUIDADO:** Este calefactor se calienta al usarlo. Para evitar quemaduras, no toque las superficies calientes con la piel. Mantenga los materiales combustibles, como muebles, almohadones, sábanas, papeles, ropa y cortinas por lo menos a 1,8 m del frente del calefactor y al menos a 6 m de distancia de los costados y de la parte de atrás.
-  **CUIDADO:** Para evitar que el calefactor funcione cuando no lo desee, siempre desenchúfelo de la fuente de alimentación cuando no lo esté utilizando.
-  **CUIDADO:** No cubra los cables de alimentación ni los haga pasar por debajo de alfombras ni tapetes. Coloque el cable y las conexiones lejos de las áreas de circulación, de manera tal que no se transformen en un riesgo de tropezones.
-  **CUIDADO:** Conecte la unidad únicamente a tomacorrientes correctamente conectados a tierra y a sistemas eléctricos del tamaño adecuado y con la adecuada conexión a tierra.
-  **CUIDADO:** No utilice esta unidad con conexiones ni cables no recomendados o de tamaño inadecuado. Pueden recalentarse y provocar un riesgo de incendio.
-  **ADVERTENCIA:** LA UNIDAD NO ESTÁ DISEÑADA PARA USARSE EN ÁREAS INTERIORES DONDE PUEDA ESTAR EXPUESTA AL AGUA. EVITE USARLA EN BAÑOS, CUARTOS DE LAVADO Y EN CUALQUIER OTRA ÁREA DONDE PUEDA ENTRAR EN CONTACTO CON EL AGUA.

-  **ADVERTENCIA:** No utilice el calefactor si la unidad, el toma o el cable presentan síntomas visibles de avería o si la unidad ha sufrido desperfectos. Contacte a un electricista acreditado antes de volver a usar el equipo.
 -  **ADVERTENCIA:** No exponga la unidad a la humedad; está diseñada únicamente para uso en interiores.
 -  **ADVERTENCIA:** Este calefactor no está diseñado para ser utilizado en baños, lavaderos y zonas similares de interiores. Nunca coloque el calefactor donde pueda caerse dentro de una bañera u otro recipiente con agua.
 -  **ADVERTENCIA:** No inserte ni permita que ningún objeto extraño se introduzca en la unidad a través de los conductos de entrada y salida de ventilación. No respetar estas advertencias puede causar descargas eléctricas, incendios, o dañar la unidad.
 -  **ADVERTENCIA:** Para evitar incendios, mantenga desbloqueados los conductos de entrada y salida de ventilación. No lo utilice sobre superficies blandas, como una cama, donde se podrían obstruir las aberturas.
 -  **ADVERTENCIA:** La unidad está equipada con componentes eléctricos internos activos que chisporrotean cuando están funcionando. No la emplee en áreas donde pueda haber vapores de gasolina, pintura ni otros líquidos inflamables.
 -  **ADVERTENCIA:** Debe ponerse mucho cuidado cuando el calefactor sea utilizado por niños o inválidos o cerca de estos, y siempre que se deje prendido y desatendido.
 -  **ADVERTENCIA:** No utilice ningún calefactor si el cable o el enchufe están dañados o si el calefactor tuvo una falla, sufrió una caída o recibió cualquier tipo de daño. Deseche el calefactor o retórnalo a un local de reparaciones autorizado para que sea examinado y/o reparado.
 -  **ADVERTENCIA:** No lo utilice en el exterior.
 -  **ADVERTENCIA:** Solo use este calefactor como se describe en este manual. Cualquier uso distinto al recomendado por el fabricante puede causar incendio, descarga eléctrica, o daños personales.
- CONSERVE ESTAS INSTRUCCIONES.**

ÍNDICE

ADVERTENCIAS.....	2
ARMADO.....	3
OPERACIÓN	3
ESPECIFICACIONES.....	3
DISTANCIAS.....	3
MANTENIMIENTO	3
SOLUCIÓN DE PROBLEMAS.....	4
DIAGRAMA DE CABLEADO Modelo MH165FAET.....	4
LISTA DE PARTES/PLANO DE DESPIECE MH165FAET	5
DIAGRAMA DE CABLEADO Modelo MH360FAET	6
LISTA DE PARTES/PLANO DE DESPIECE MH360FAET.....	7
GARANTÍA.....	8
INSTRUCCIONES PARA ORDENAR PARTES	8

IDIOMAS

INGLÉS	1-8
▶ ESPAÑOL.....	1-8
FRANCÉS	1-8

INFORMACIÓN GENERAL

GUARDE ESTE MANUAL PARA FUTURA REFERENCIA. POR PREGUNTAS, PROBLEMAS O PARTES FALTANTES, ANTES DE RETORNAR EL PRODUCTO A LA TIENDA LLÁMENOS CON EL NÚMERO DE MODELO Y EL NÚMERO DE SERIE DEL CALEFACTOR: 1-800-321-0001

DE LUNES A VIERNES DE 8 A 5 PM HORA DEL ESTE.
O ENVÍENOS UN MENSAJE A TRAVÉS DEL SITIO WEB DE MR. HEATER:
WWW.MRHEATER.COM

Para brindarle el mejor servicio posible Mr. Heater ahora le ofrece más formas de ponerse en contacto con nosotros:



FACEBOOK: Búsquenos en Facebook



TWITTER: Búsquenos en twitter



YouTube: Ahora tenemos videos informativos en YouTube.

SITIO WEB: La línea completa de productos Mr. Heater está en
WWW.MRHEATER.COM

ESPECIFICACIONES

Modelo:	MH165FAET	MH360FAET
Salida de calor BTU/WATTS	5118/1500	12286/3600
Circulación de aire (CFM)	200	325
Alimentación	120 VCA	240 VCA
Termostato	0-85 °C (32-185 °F)	0-85 °C (32-185 °F)
Cable de alimentación	CABLE DE 1,8 M INCLUIDO	CABLE DE 1,8 M INCLUIDO
Dimensiones: (La x An x Al)	33,5 x 31 x 35,5 cm 13,18"x12,2"x13,97"	36,5 x 35 x 41 cm 14,37"x13,77"x16,14"
Peso	4,35 Kg (9,6 lbs)	5,44 Kg (12 lbs)
Distancia a combustibles		
Salida	1,8 m (6')	1,8 m (6')
Atrás	0,6 m (2')	0,6 m (2')
Arriba	0,6 m (2')	0,6 m (2')
Abajo	Úselo únicamente sobre pisos no combustibles	

Armado

- Saque el calefactor y todos los materiales de embalaje de la caja.
- Revise todo el material de embalaje para detectar si quedó en él alguna parte suelta y luego póngalo a un lado.
- Revise bien que el calefactor no esté dañado. Si encuentra algún daño, no se ponga en contacto con el lugar donde lo compró. Llame al Fabricante al 800-251-0001.

Información operacional

Los calefactores eléctricos a aire forzado Mr. Heater están diseñados para ser utilizados por profesionales.

El calor se genera mediante circulación de corriente eléctrica a través de elementos metálicos enrollados, haciendo que se calienten hasta temperaturas muy altas. Luego el ventilador hace circular aire por los elementos calientes, intercambiando aire frío por aire caliente.

El aire que circula por los elementos evita que alcancen temperaturas que no serían seguras para el funcionamiento normal del calefactor. Sin embargo, es importante mantener a una distancia prudencial todos los materiales combustibles y cualquier objeto que pueda ser succionado por las aspas del ventilador (consulte la tabla que aparece en la página siguiente para conocer las distancias adecuadas). Asegúrese de que nada bloquee las aspas del ventilador en ningún momento. Mantenga la unidad limpia y desempolvada. No bloquee nunca los conductos de entrada y salida de aire.

Estas unidades están diseñadas para usarse exclusivamente con el cable y el enchufe que vienen con la unidad. No utilice otro enchufe que no sea el proporcionado por el fabricante. Por información acerca de los tomacorrientes apropiados, consulta la Figura 1 y encuentre el diagrama que corresponde a su calefactor. Si ha sufrido algún daño, consulte la lista de partes de este manual y llame al fabricante para obtener un reemplazo.

⚠ ADVERTENCIA: El tomacorriente debe estar correctamente conectado a tierra, de lo contrario podría causar una descarga eléctrica o daños materiales.

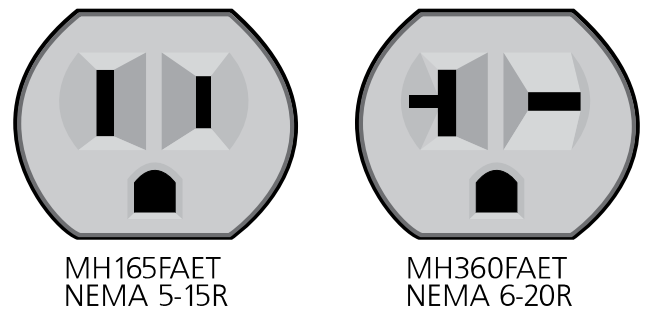
⚠ ADVERTENCIA: Enchufe siempre el calefactor directamente en el tomacorriente. Nunca lo use con un cable de extensión o enchufe múltiple.

Instrucciones de encendido

1. Coloque el calefactor en una superficie estable y nivelada. Asegúrese de respetar las recomendaciones de separación con respecto a materiales combustibles (ver la tabla de especificaciones).
2. Gire el termostato en sentido contra horario hasta el valor mínimo.
3. Enchufe el calefactor en un tomacorriente correctamente conectado a tierra.
4. Gire la perilla de encendido hasta la posición de calefacción. Estas unidades

- vienen equipadas con la opción de ventilador solamente para hacer circular el aire. Para calefacción, asegúrese de girar la perilla a la posición adecuada.
5. Gire la perilla del termostato en sentido horario a la posición deseada.
 6. El elemento calefactor y el ventilador permanecerán encendidos hasta que se alcance el valor de temperatura seleccionado. La unidad se encenderá y apagará según sea necesario.

Figura 1



Para apagar el calefactor:

1. Gire el control del termostato hacia la posición mínima.
2. Gire la llave de encendido hasta la posición "Off".
3. Desconecte el enchufe del tomacorriente.

NOTA: Este calefactor está equipado con un interruptor de límite de recalentamiento que puede hacer que el calefactor se detenga. Esto se indica mediante una alarma visual cuando la llave de encendido está en la posición "On" y se enciende la luz de "Fault". Revise y elimine la causa del recalentamiento antes de volver a encender el calefactor. Puede demorar hasta 10 minutos en enfriarse antes de que pueda volver a encenderse.

Mantenimiento

ADVERTENCIA:

⚠ Nunca intente darle mantenimiento al calefactor mientras esté caliente, funcionando o conectado a la corriente. Estas unidades deben recibir mantenimiento únicamente por parte de técnicos de servicio calificados.

- Revise exhaustivamente la unidad antes de utilizarla.
- Mantenga el calefactor limpio y sin polvo ni basura.
- Se puede utilizar un compresor de aire para sacar el polvo de la cubierta del calefactor. Asegúrese de emplear una presión de aire moderada para no dañar ningún componente interno.
- Para limpiar la cubierta externa y el asa debe emplearse un paño suave y seco.
- El motor del ventilador está sellado y no necesita lubricación.

Almacenamiento

Cuando no se esté usando, el calefactor debe desconectarse de la fuente de alimentación, desempolvarse, y el cable debe enredarse en el asa sin apretarlo.

Para obtener servicio:

Llame sin cargo al 800-251-0001 • www.mrheater.com
Nuestro horario de trabajo es de 08:00 a.m. AM a 5:00 PM, de lunes a viernes, hora del este. Por favor, incluya el número de modelo, la fecha de compra y la descripción del problema en todas sus comunicaciones.

CONTROLAR

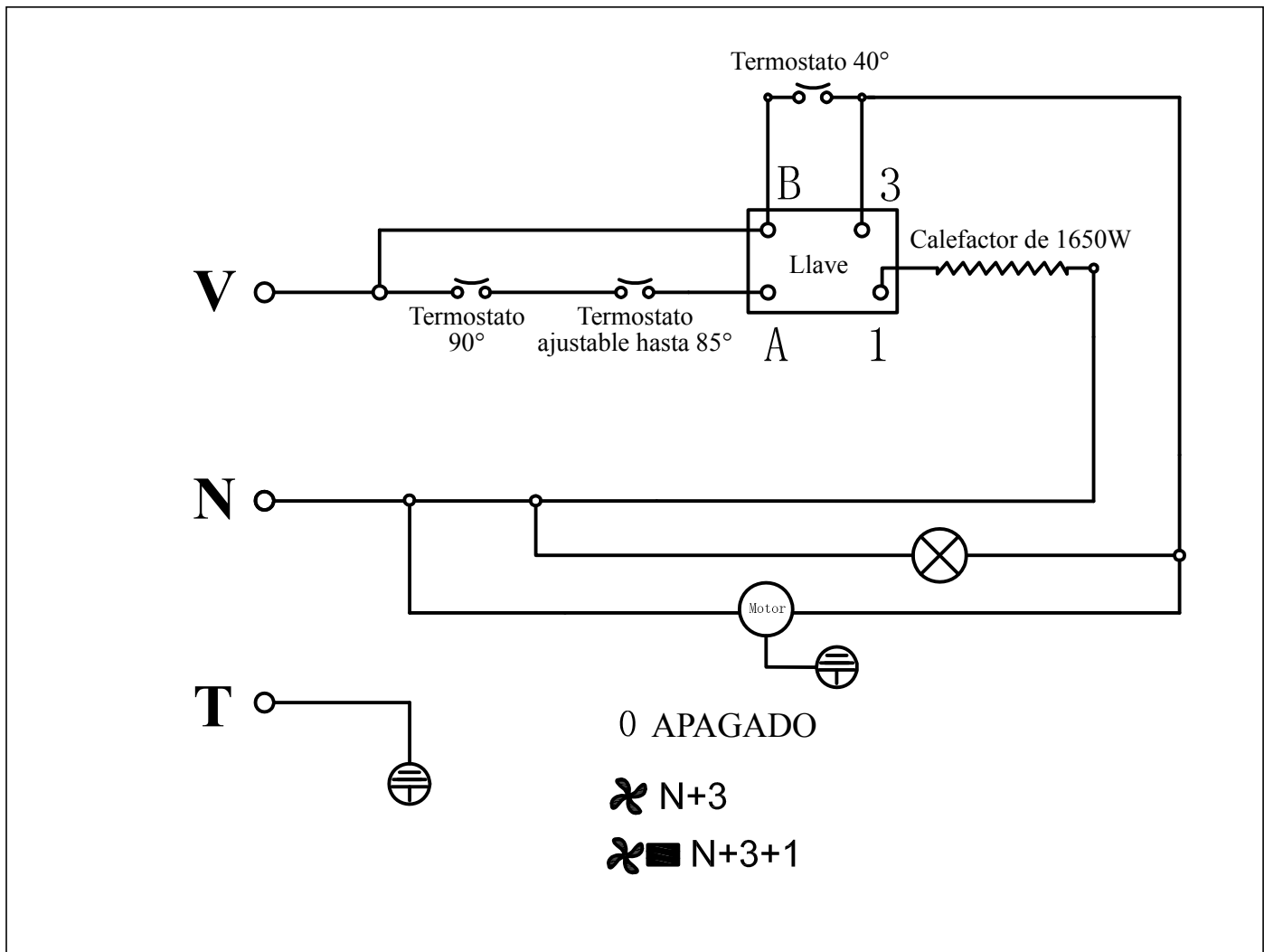


Solución de problemas

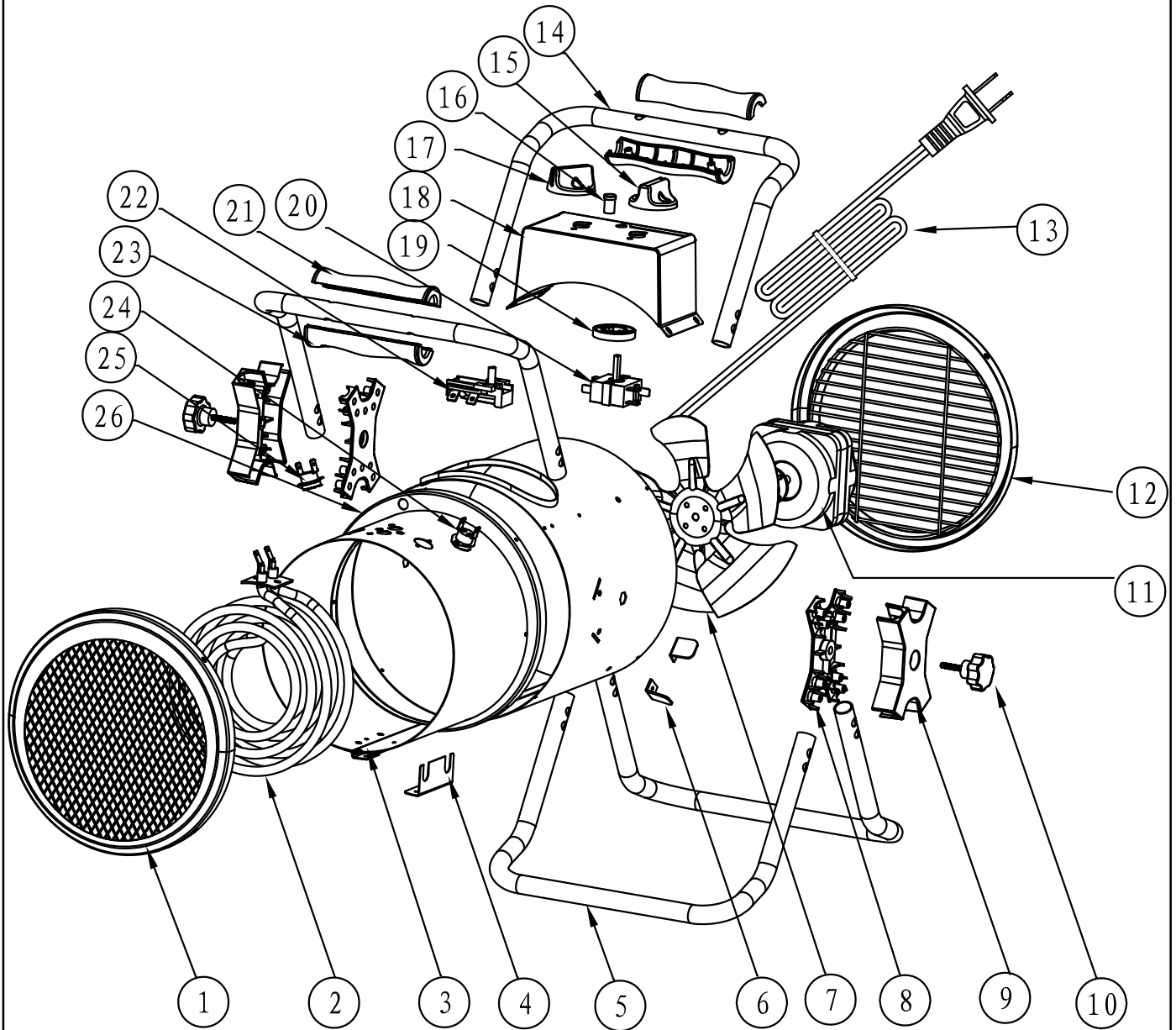
La unidad no funciona.	<ul style="list-style-type: none"> • Termostato dañado o configuración incorrecta del termostato • Fusible o llave térmica abierta • Se ha disparado el interruptor de recarga térmica • Toma o tomacorrientes dañados o defectuosos
La unidad funciona constantemente	<ul style="list-style-type: none"> • Termostato dañado o configuración incorrecta del termostato • Las pérdidas de calor superan la capacidad de la unidad (unidad insuficiente)
Los elementos están encendidos pero el motor no gira	<ul style="list-style-type: none"> • Motor defectuoso • Aspas del ventilador bloqueadas
El alojamiento está extremadamente caliente	<ul style="list-style-type: none"> • Protección térmica defectuosa • Conductos de aire bloqueados • Motor defectuoso
No se puede alcanzar la temperatura deseada	<ul style="list-style-type: none"> • Hay uno o más elementos defectuosos • Termostato dañado o configuración incorrecta del termostato • El voltaje es inferior al que aparece escrito en la etiqueta • Las pérdidas de calor superan la capacidad de la unidad (unidad insuficiente)
Recalentamiento	<ul style="list-style-type: none"> • Termostato defectuoso o entrada o salida de aire bloqueadas (se disparó el HLS) • Motor defectuoso (funciona muy lento)

⚠ ADVERTENCIA: USE SOLAMENTE PARTES DE REPUESTO DEL FABRICANTE. EL USO DE CUALQUIER OTRA PARTE PODRÍA CAUSAR HERIDAS O LA MUERTE. LAS PARTES DE REPUESTO ESTÁN DISPONIBLES ÚNICAMENTE EN LA FÁBRICA Y DEBEN SER INSTALADAS POR UNA AGENCIA DE SERVICIO CALIFICADA.

DIAGRAMA DE CABLEADO DEL MH165FAET



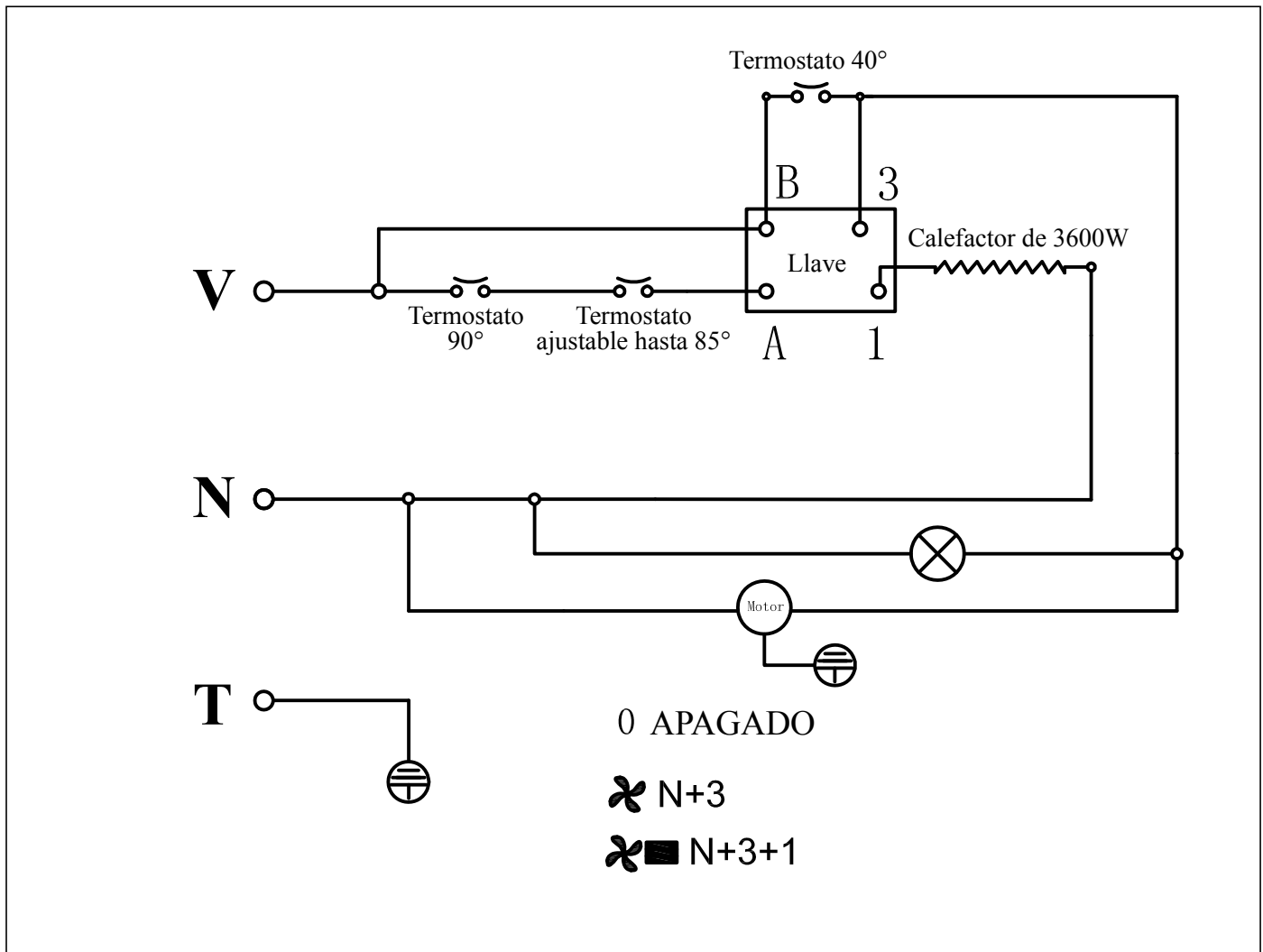
MH165FAET



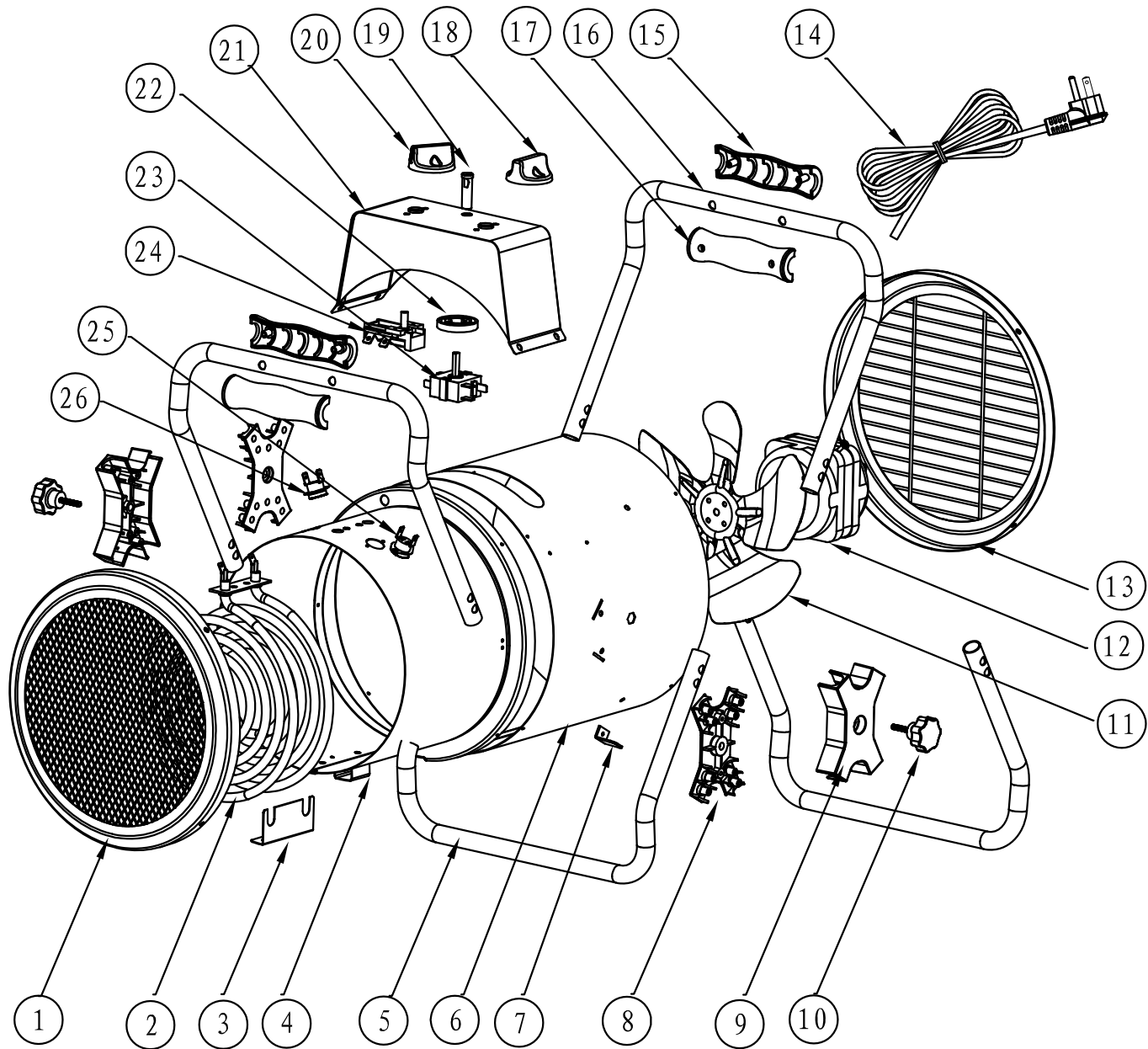
#	Parte	Descripción	Cant.
1	41200	Rejilla exterior	1
2	41201	Elemento calefactor	1
3	41202	Cámara interior	1
4	41203	Soporte del elemento calefactor	1
5	41204	Patas	2
6	41205	Ángulos de la cubierta	4
7	41206	Paletas del ventilador	1
8	41207	Guía de la pata/manija	2
9	41208	Retén de la pata/manija	2
10	41209	Perilla de de retención de ajuste del ángulo	2
11	41210	Motor del ventilador	1
12	41211	Rejilla de entrada	1
13	41212	Cable de alimentación con enchufe	1

#	Parte	Descripción	Cant.
14	41213	Manija	2
15	41214	Perilla del termostato	1
16	41215	LED de falla	1
17	41216	Perilla de control	1
18	41217	Caja de control	1
19	41218	Resorte en espiral del termostato	1
20	41219	Termostato	1
21	41220	Empuñadura superior	2
22	41221	Llave de control	1
23	41222	Empuñadura inferior	2
24	41223	Interruptor de límite superior	1
25	41224	Interruptor de límite superior	1
26	41225	Barril exterior	1

DIAGRAMA DE CABLEADO DEL MH360FAET



MH360FAET



#	Parte	Descripción	Cant.
1	41226	Rejilla exterior	1
2	41227	Elemento calefactor	1
3	41203	Soporte del elemento calefactor	1
4	41228	Cámara interior	1
5	41229	Patas	2
6	41230	Barril exterior	4
7	41205	Ángulos de la cubierta	1
8	41207	Guía de la pata/manija	2
9	41208	Retén de la pata/manija	2
10	41208	Perilla de de retención de ajuste del ángulo	2
11	41231	Paletas del ventilador	1
12	41232	Motor del ventilador	1
13	41233	Rejilla de entrada	1

#	Parte	Descripción	Cant.
14	41234	Cable de alimentación	2
15	41220	Empuñadura superior	1
16	41235	Manija	1
17	41222	Empuñadura inferior	1
18	41236	Perilla del termostato	1
19	41215	LED de encendido	1
20	41216	Perilla de control	1
21	41238	Caja de control	2
22	41218	Resorte en espiral del termostato	1
23	41219	Termostato	2
24	41221	Llave de control	1
25	41223	Interruptor de límite superior	1
26	41224	Interruptor de límite superior	1



INSTRUCCIONES DE OPERACIÓN Y MANUAL DEL USUARIO

Modelo #

MH165FAET

MH360FAET



ADVERTENCIA:

USE SOLAMENTE PARTES DE REPUESTO DEL FABRICANTE. EL USO DE CUALQUIER OTRA PARTE PODRÍA CAUSAR HERIDAS O LA MUERTE. LAS PARTES DE REPUESTO ESTÁN DISPONIBLES ÚNICAMENTE EN LA FÁBRICA Y DEBEN SER INSTALADAS POR UNA AGENCIA DE SERVICIO CALIFICADA.

INFORMACIÓN PARA ORDENAR PARTES:

COMPRAS: Puede comprar accesorios en cualquier distribuidor local de Mr. Heater o directamente de la fábrica.

POR INFORMACIÓN ACERCA DE REPARACIONES

Llame sin cargo al 800-251-0001
www.mrheater.com

Nuestro horario de trabajo es de 08:00 a.m. AM a 5:00 PM, de lunes a viernes, hora del este.

Por favor, incluya el número de modelo, la fecha de compra y la descripción del problema en todas sus comunicaciones.

GARANTÍA LIMITADA

Mr. Heater, Inc. garantiza la calidad del material y la fabricación de sus calefactores y accesorios por un período de 1 año a partir de la fecha de compra. Mr. Heater, Inc. reparará o reemplazará este producto sin cargo si presentara desperfectos dentro del primer año tras realizada la compra, siempre y cuando el cliente costee la devolución y presente el comprobante de compra a Mr. Heater Inc. dentro del período de garantía.

Mr. Heater Inc. se reserva el derecho de hacer cambios en cualquier momento, sin previo aviso, en los colores, especificaciones, accesorios, materiales y modelos.

MR. HEATER, INC., 4560 W. 160TH ST., CLEVELAND, OHIO 44135 • 800-251-0001

Mr. Heater es una marca registrada de Mr. Heater, Inc.

© 2017, Mr. Heater/Mr. Heater. Todos los derechos reservados.



MANUEL DE L'UTILISATEUR ET INSTRUCTIONS D'OPÉRATION



RADIATEUR ÉLECTRIQUE À VENTILATION FORCÉE

N° de modèle

MH165FAET
MH360FAET

LIRE ATTENTIVEMENT CES INSTRUCTIONS : Lire et suivre toutes les instructions. Placer ces instructions dans un endroit sûr pour référence future. Ne pas permettre à quiconque qui n'aurait pas lu ces instructions de procéder à un assemblage, un ajustement ni au fonctionnement de ce radiateur.



Langues incluses



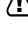
- Anglais
- Français
- Espagnol

⚠ AVERTISSEMENT : Si l'information décrite dans ce manuel n'est pas respectée exactement, un incendie ou une explosion peut en résulter et cela peut causer des dommages à la propriété, une blessure personnelle ou un décès.


- Ce radiateur comporte des pièces chaudes ou qui produisent un arc électrique, à l'intérieur. Ne pas l'utiliser dans des endroits où de l'essence, de la peinture ou d'autres liquides inflammables sont utilisés ou entreposés.
- Tout service doit être effectué par une agence de service qualifiée.


Définitions : Directives de sécurité et INSTRUCTIONS IMPORTANTES


Les définitions ci-dessous décrivent le niveau de sévérité pour chaque terme des mises en garde. Veuillez lire le manuel attentivement et porter une grande attention à ces symboles.


-  **Danger** : Indique une situation de danger imminent qui, si elle n'est pas évitée, **résultera en décès ou blessure grave.**
-  **Avertissement** : Indique situation potentiellement dangereuse qui, si elle n'est pas évitée, **pourrait résulter en un décès ou en blessure grave.**
-  **Prudence** : Indique une situation potentiellement dangereuse qui, si elle n'est pas évitée, **peut résulter en blessure mineure ou modérée.**
- Avis** : Indique une pratique sans relation avec une blessure personnelle qui, si elle n'est pas évitée, **peut résulter en des dommages à la propriété.**


AVERTISSEMENT : NE PAS FAIRE FONCTIONNER CE RADIATEUR TANT QUE VOUS N'AUREZ PAS BIEN LU ET COMPRIS CE MANUEL D'INSTRUCTIONS, DÉCRIVANT LES INSTRUCTIONS POUR LA SÉCURITÉ, DE FONCTIONNEMENT ET D'ENTRETIEN.


 **PRUDENCE** : L'utilisation de ce radiateur de quelque manière qui ne serait pas décrite dans ce manuel peut causer un incendie, un choc électrique, une blessure personnelle et/ou des dommages à la propriété.


 **PRUDENCE** : Ce radiateur est chaud lorsqu'il est utilisé. Afin d'éviter des brûlures, ne jamais laisser la peau nue entrer en contact avec les surfaces chaudes. Garder tout matériau combustible, comme les meubles, oreillers, la literie, les papiers, vêtements et les rideaux, à une distance d'au moins 6 pieds (1,8 m) de l'avant du radiateur, et les garder distancés d'au moins 2 pieds (0,6 m) des côtés et de l'arrière.


 **PRUDENCE** : Afin d'éviter un fonctionnement non-intentionnel du radiateur, toujours débrancher l'appareil de la source d'alimentation lorsqu'il n'est pas utilisé.


 **PRUDENCE** : Ne pas recouvrir le câble d'alimentation ni faire courir le câble sous un tapis ou une carquette. Placer le cordon et les connexions éloignés des aires de trafic, afin d'éviter qu'il constitue un risque de chute.


 **PRUDENCE** : Brancher l'appareil uniquement dans des prises de courant munies d'une mise à la terre adéquate, et sur des systèmes électriques de calibre et avec une mise à terre appropriés.


 **PRUDENCE** : Ne pas utiliser cet appareil avec du filage ou des connexions électriques de calibre insuffisant. Ils pourraient surchauffer et causer un risque d'incendie.


 **AVERTISSEMENT** : CET APPAREIL N'EST PAS CONÇU POUR UN USAGE INTÉRIEUR À UN ENDROIT OU LE RADIATEUR POURRAIT ÊTRE EXPOSÉ À DE L'EAU. ÉVITER DE L'UTILISER DANS UNE SALLE DE BAIN, UNE SALLE DE LAVAGE ET TOUTE AUTRE RÉGION OÙ L'APPAREIL POURRAIT ENTRER EN CONTACT AVEC DE L'EAU.


 **AVERTISSEMENT** : Ne pas utiliser ce radiateur si l'appareil, la fiche ou le cordon présente un dommage visible, ou si l'appareil a subi une défaillance. Communiquer avec un électricien qualifié avant de réutiliser l'appareil.


 **AVERTISSEMENT** : Ne pas exposer l'appareil à des conditions mouillées; l'appareil est conçu pour usage à l'intérieur seulement.


 **AVERTISSEMENT** : Ce radiateur n'est pas conçu pour utilisation dans une salle de bain, une salle de lavage et tout emplacement intérieur similaire. Ne jamais localiser le radiateur dans un endroit duquel il pourrait tomber dans une baignoire ou dans un autre contenant d'eau ou de liquide.


 **AVERTISSEMENT** : Ne pas insérer ou permettre à des objets étrangers d'entrer dans l'appareil via les événements d'aspiration ou d'évacuation sur l'appareil. Un manquement à respecter cet avertissement peut résulter en un choc électrique, un incendie ou dommage à l'appareil.


 **AVERTISSEMENT** : Pour prévenir un incendie, ne pas bloquer les événements d'aspiration ou d'évacuation de quelque manière. Ne pas utiliser sur des surfaces molles comme sur un lit, et là où les ouvertures pourraient se bloquer.

 **AVERTISSEMENT** : Cet appareil est équipé avec des composantes électriques internes actives, qui créent des étincelles lors de l'utilisation. Ne pas utiliser dans des endroits où des vapeurs d'essence, de peinture ou d'autres liquides inflammables pourraient être présentes.

 **AVERTISSEMENT** : Il faut être très prudent lorsqu'un radiateur est utilisé par des enfants, ou près des enfants ou de personne invalide, et lorsque le radiateur fonctionne sans surveillance.

 **AVERTISSEMENT** : Ne pas faire fonctionner un radiateur si son cordon ou sa fiche est endommagé, ou après une défaillance du radiateur, après qu'il ait tombé ou qu'il ait été endommagé de quelque manière. Dans ces cas, il ne faut pas utiliser le radiateur, et il faut le porter à une installation qualifiée de service pour inspection et/ou réparation.

 **AVERTISSEMENT** : Ne pas utiliser cet appareil à l'extérieur.

 **AVERTISSEMENT** : Utiliser seulement ce radiateur tel que décrit dans ce manuel. Tout autre usage qui ne serait pas recommandé par le fabricant peut causer un incendie, un choc électrique ou une blessure personnelle.

CONSERVER CES INSTRUCTIONS.

TABLE DES MATIÈRES

AVERTISSEMENTS	2
ASSEMBLAGE	3
OPÉRATION	3
SPÉCIFICATIONS.....	3
DÉGAGEMENT	3
ENTRETIEN	3
DÉPANNAGE	4
SCHÉMA DE CÂBLAGE Modèle MH165FAET	4
LISTE DES PIÈCES/ VUE ÉCLATÉE Modèle MH165FAET.....	5
SCHÉMA DE CÂBLAGE Modèle MH360FAET	6
LISTE DES PIÈCES/ VUE ÉCLATÉE Modèle MH165FAET.....	7
GARANTIE	8
INSTRUCTIONS POUR LA COMMANDE DE PIÈCES	8

LANGUES

ANGLAIS	1-8
ESPAGNOL	1-8
▶ FRANÇAIS	1-8


INFORMATION GÉNÉRALE

CONSERVER CE MANUEL POUR RÉFÉRENCE FUTURE. POUR TOUTE QUESTION, PROBLÈME OU PIÈCE MANQUANTE AVANT DE RETOURNER L'APPAREIL À VOTRE DÉTAILLANT, VEUILLEZ APPELER AU NUMÉRO SUIVANT, EN AYANT EN MAIN LE NUMÉRO DE MODÈLE ET LE NUMÉRO DE SÉRIE DU RADIATEUR : 1-800-321-0001 DU LUNDI AU VENDREDI DE 8H00 À 17H00, HEURE DE L'EST, OU NOUS TRANSMETTRE UN COURRIEL VIA LE SITE WEB DE MR. HEATER : WWW.MRHEATER.COM

Afin d'offrir le meilleur service possible, MR. HEATER vous offre dorénavant plus de moyen pour nous contacter, notamment :

 FACEBOOK: Trouvez-nous sur Facebook

 TWITTER: Trouvez-nous sur Twitter

 YouTube: Plusieurs vidéos informatives sont disponibles sur YouTube.

Site Web : La gamme complète des produits de MR. HEATER est disponible à l'adresse WWW.MRHEATER.COM

SPÉCIFICATIONS

Modèle :	MH165FAET	MH360FAET
Puissance de chauffage BTU/Watts	5 118/1 500	12 286/3 600
Débit d'air (pi ³ /min)	200	325
Alimentation électrique	120 V c.a.	240 V c.a.
Thermostat	0-85 °C (32-185 °F)	0-85 °C (32-185 °F)
Cordon d'alimentation	de 6 pi (1,8 m) compris	de 6 pi (1,8 m) compris
Dimensions : (L x L x H)	33,5 x 31 x 35,5 cm 13,18x12,2x13,97 po	36,5 x 35 x 41 cm 14,37x13,77x16,14 po
Poids	4,35 Kg (9,6 livres)	5,44 Kg (12 livres)
Dégagement des produits combustibles		
Sortie	1,8 m (6 pi)	1,8 m (6 pi)
Arrière	0,6 m (2 pi)	0,6 m (2 pi)
Dessus	0,6 m (2 pi)	0,6 m (2 pi)
Dessous	Utiliser uniquement sur un plancher non-combustible	

Assemblage

- Sortir le radiateur et tout le matériel d'emballage de la boîte.
- Vérifier tout le matériel d'emballage pour la présence de pièces lâches et les mettre de côté.
- Inspecter minutieusement le radiateur pour la présence de dommage. Si un dommage est détecté, veuillez ne pas communiquer avec votre détaillant. Veuillez plutôt appeler le fabricant au numéro 800-251-0001.

Information de fonctionnement

Les radiateurs électriques à ventilation forcée MR. HEATER sont conçus pour utilisation par les professionnels.

La chaleur est créée par un courant électrique circulant dans les éléments d'enroulement métallique, et les chauffe à une très haute température. Le ventilateur fait alors passer l'air de la pièce sur les éléments chauds pour réchauffer cet air froid.

L'air qui circule sur les enroulements les empêche d'atteindre des températures qui ne seraient pas sécuritaires pour le fonctionnement normal du radiateur. Cependant, il demeure important de garder tout matériau combustible et tout objet, qui pourrait être aspiré dans l'hélice du ventilateur, à une distance sécuritaire (veuillez vous référer au tableau des spécifications pour les dégagements appropriés). S'assurer que l'hélice du ventilateur demeure libre de toute obstruction en tout temps. Garder l'appareil propre et libre de poussière. Ne jamais bloquer l'entrée d'air ni la sortie d'air de l'appareil.

Ces appareils sont conçus pour être utilisés uniquement avec le cordon et la fiche fournis avec l'appareil. Ne pas utiliser d'autre fiche que celle qui est fournie par le fabricant. Pour plus d'information sur les prises de courant appropriées, veuillez vous référer à la figure 1 et déterminer le diagramme qui correspond à votre radiateur. Si un dommage est survenu, veuillez vous référer à la liste des pièces décrite dans ce manuel et communiquer avec le fabricant pour une pièce de rechange

⚠ AVERTISSEMENT : La prise de courant doit être munie d'une mise à la terre appropriée, tout manquement à ce faire peut résulter en un choc électrique ou en dommages à la propriété.

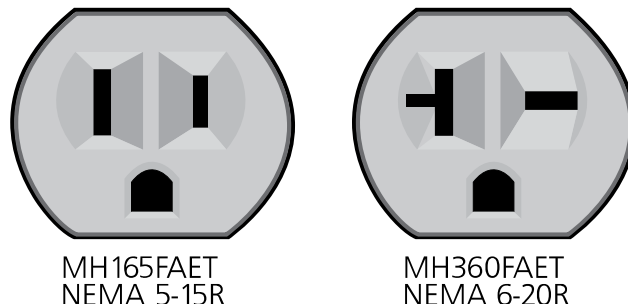
⚠ AVERTISSEMENT : Toujours brancher un radiateur directement dans une prise de courant/un réceptacle mural. Ne jamais utiliser un radiateur avec un cordon d'extension ou une barre à prises multiples.

Instructions pour le démarrage

1. Placer le radiateur sur une surface stable et à niveau. S'assurer que le bon dégagement avec les matériaux combustibles soit respecté (voir les détails de dégagement dans le tableau des spécifications).
2. Tourner le thermostat, en sens antihoraire, au réglage le plus faible.
3. Brancher le radiateur dans une prise de courant munie d'une mise à la terre adéquate.

4. Tourner le bouton de puissance à la position de chauffage. Ces appareils sont équipés d'une option de ventilateur servant uniquement à la recirculation de l'air. Pour le chauffage, s'assurer de tourner le bouton au réglage approprié.
5. Tourner le bouton du thermostat vers le haut (en sens horaire) au réglage souhaité.
6. L'élément chauffant et le ventilateur resteront en marche jusqu'à ce que le réglage de température soit atteint. L'appareil effectuera un cycle marche - arrêt tel que requis.

Figure 1



Pour arrêter le chauffage :

1. Tourner le bouton du thermostat au réglage le plus bas.
2. Basculer le bouton marche-arrêt à la position éteinte (OFF).
3. Débrancher la fiche de l'alimentation.

REMARQUE : Ce radiateur est équipé avec une protection contre la surchauffe qui peut arrêter le fonctionnement du radiateur. Cela est indiqué par une alarme visuelle lorsque le bouton marche-arrêt est en position de marche (ON) et que le témoin lumineux de faute (fault) est illuminé. Vérifier et retirer la cause de la surchauffe avant de redémarrer le radiateur. Un délai pouvant atteindre les 10 minutes peut être nécessaire avant le redémarrage.

Entretien

⚠ AVERTISSEMENT :

Ne jamais tenter d'effectuer un service sur le radiateur alors que l'appareil est chaud, en marche ou branché. Uniquement un technicien de service qualifié peut effectuer un service sur cet appareil.

- Inspecter minutieusement l'appareil avant usage.
- Garder le radiateur propre et libre de toute poussière et débris.
- Il est possible d'utiliser un compresseur à air pour souffler la poussière du boîtier du radiateur. S'assurer alors d'utiliser seulement une pression d'air modérée afin de ne pas endommager les composantes internes.
- Utiliser un chiffon souple et sec pour le nettoyage de l'extérieur du radiateur et de la poignée.
- Le moteur du ventilateur est scellé et ne nécessite pas de lubrification.

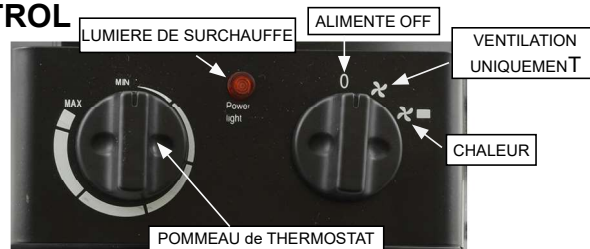
Rangement

Lorsqu'il n'est pas utilisé, le radiateur doit être déconnecté de la source d'alimentation, il doit être épousseté et son cordon doit être enroulé de manière lâche autour de la poignée.

Pour un service :

Veuillez appeler sans frais au numéro 800-251-0001 ou vous rendre sur le site Web à l'adresse www.mrheater.com. Les heures d'ouverture de nos bureaux sont de 8h00 à 17h00, HNE, du lundi au vendredi. Veuillez inclure le numéro de modèle, la date d'achat et une description du problème dans toutes vos communications.

CONTROL

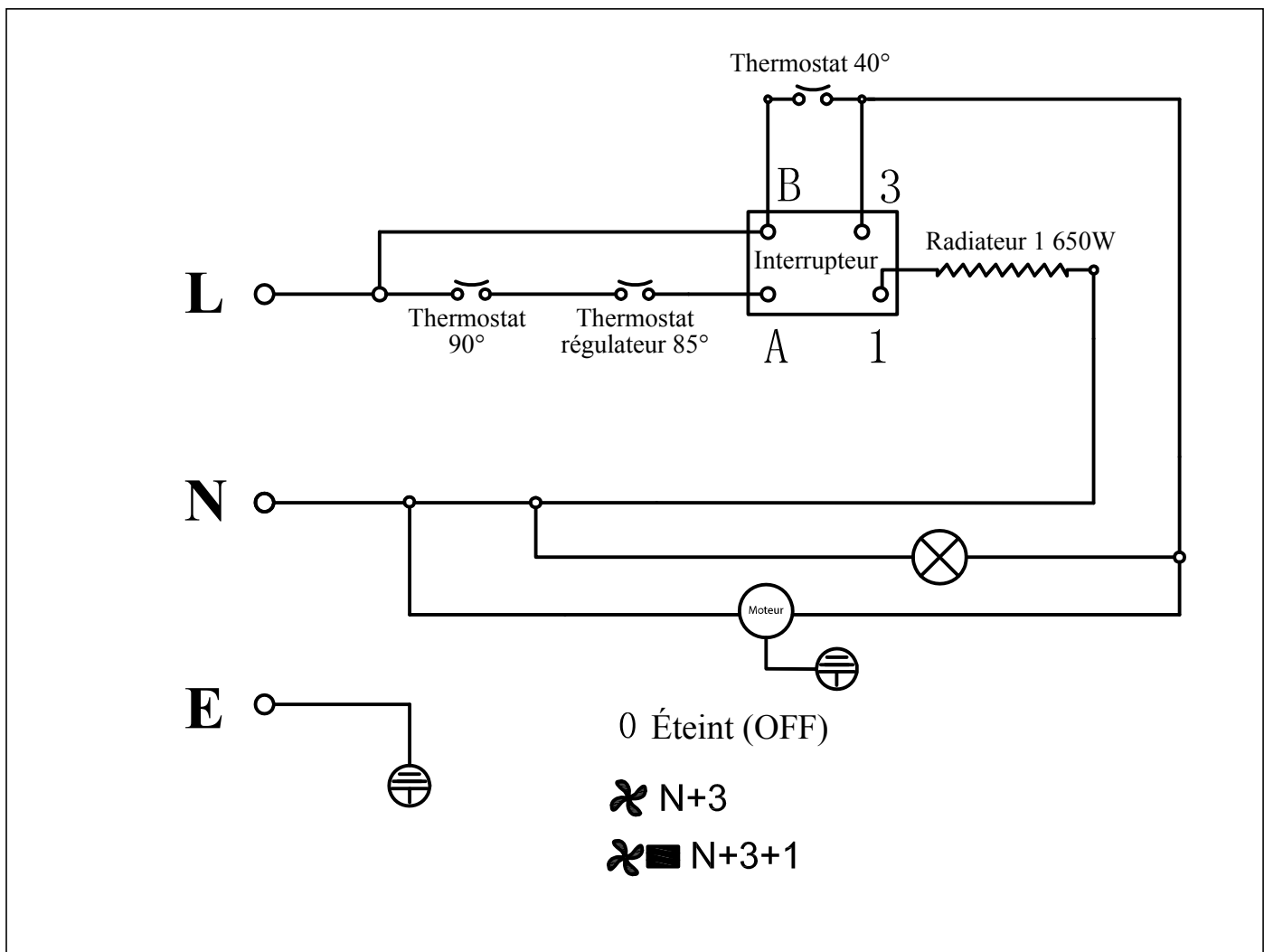


Dépannage

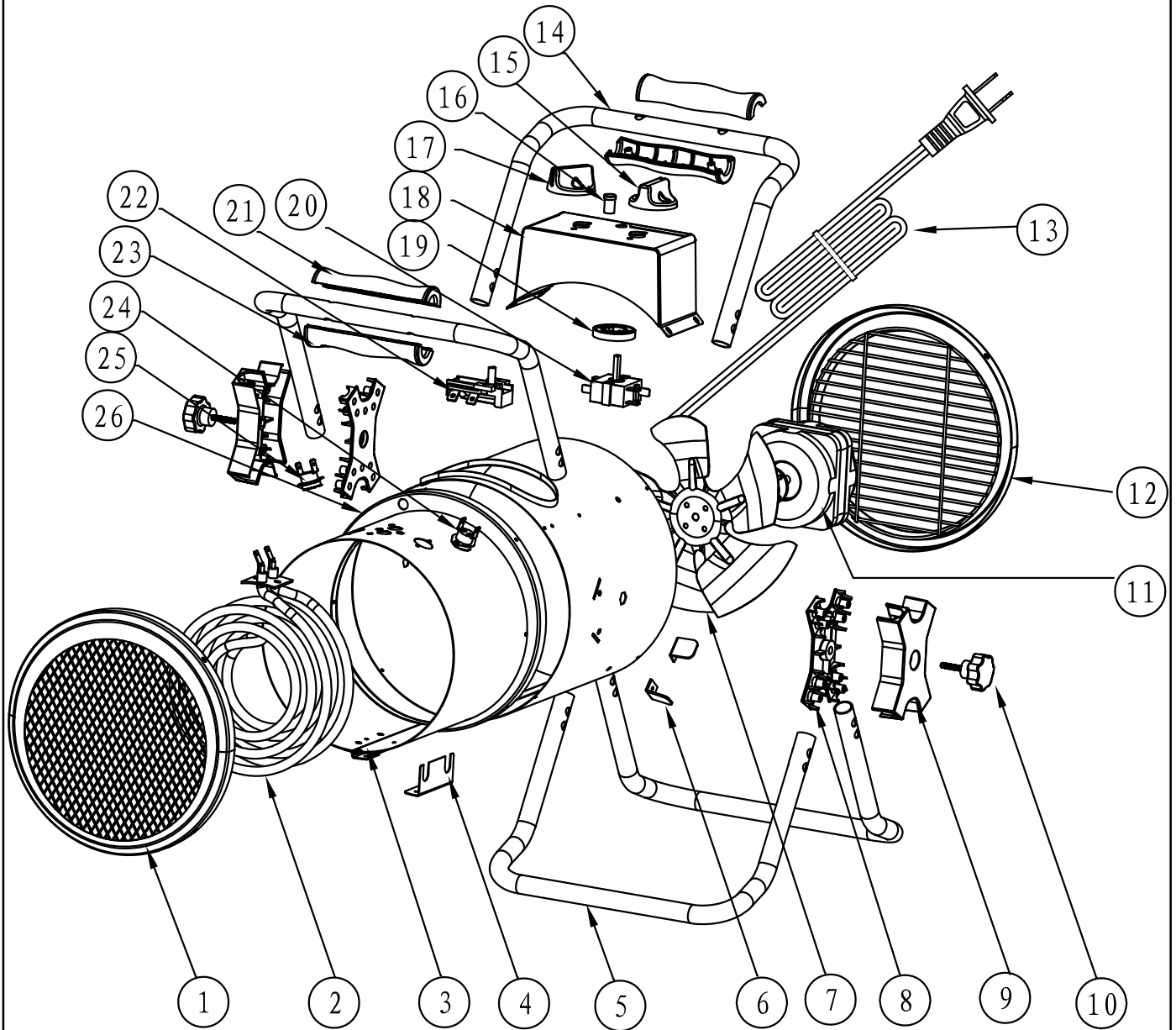
L'appareil ne fonctionne pas	<ul style="list-style-type: none"> • Thermostat défectueux ou mauvais réglage du thermostat • Disjoncteur ouvert ou fusible brûlé • Protection thermique enclenchée • Fiche ou prise de courant endommagée ou défectueuse
L'appareil fonctionne continuellement	<ul style="list-style-type: none"> • Thermostat défectueux ou mauvais réglage du thermostat • Pertes de chaleur plus grandes que la capacité de l'appareil (capacité de l'appareil insuffisante)
Les éléments chauffent mais le moteur ne tourne pas	<ul style="list-style-type: none"> • Moteur défectueux • Hélice du ventilateur bloquée
Le boîtier est extrêmement chaud	<ul style="list-style-type: none"> • Protection thermique défectueuse • Événements bloqués • Moteur défectueux
Impossible d'atteindre la température voulue dans la pièce	<ul style="list-style-type: none"> • Un ou plusieurs éléments sont défectueux • Thermostat défectueux ou mauvais réglage du thermostat • Le voltage est inférieur à ce qui est indiqué sur l'affiche des spécifications • Pertes de chaleur plus grandes que la capacité de l'appareil (capacité de l'appareil insuffisante)
Surchauffe	<ul style="list-style-type: none"> • Thermostat défectueux, entrée d'air bloquée ou problème avec la prise de courant (déclenchement de la protection) • Moteur défectueux (fonctionnement lent du moteur)

⚠ AVERTISSEMENT : UTILISER UNIQUEMENT DES PIÈCES DE RECHANGE D'ORIGINE DU FABRICANT. L'UTILISATION D'AUTRES PIÈCES DE RECHANGE PEUT ENTRAÎNER DES BLESSURES OU UN DÉCÈS. LES PIÈCES DE RECHANGE SONT SEULEMENT DISPONIBLES DIRECTEMENT AUPRÈS DU FABRICANT ET ELLES DOIVENT ÊTRE INSTALLÉES PAR UNE AGENCE DE SERVICE QUALIFIÉE.

SCHÉMA DE CÂBLAGE DU MH165FAET



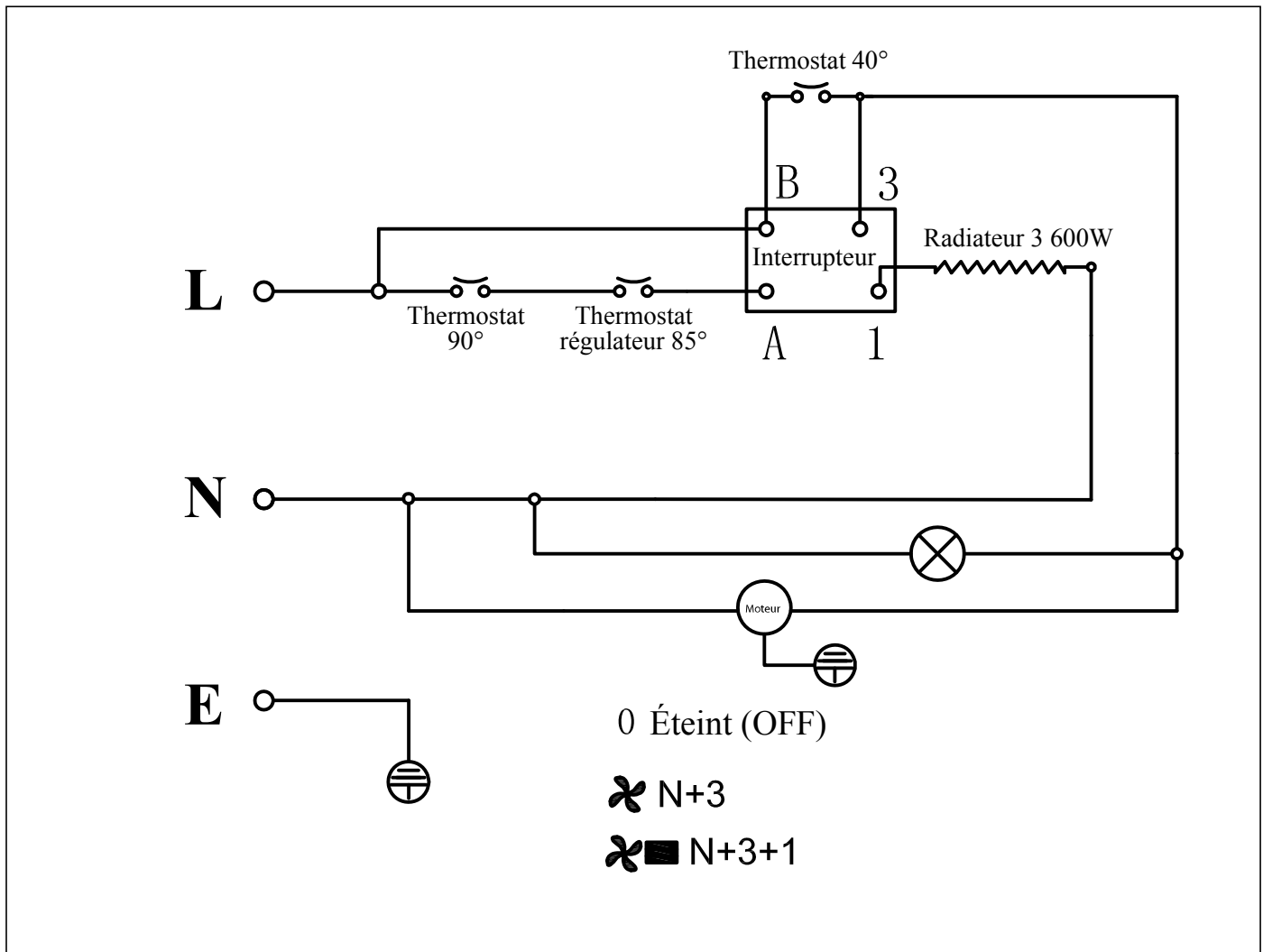
MH165FAET



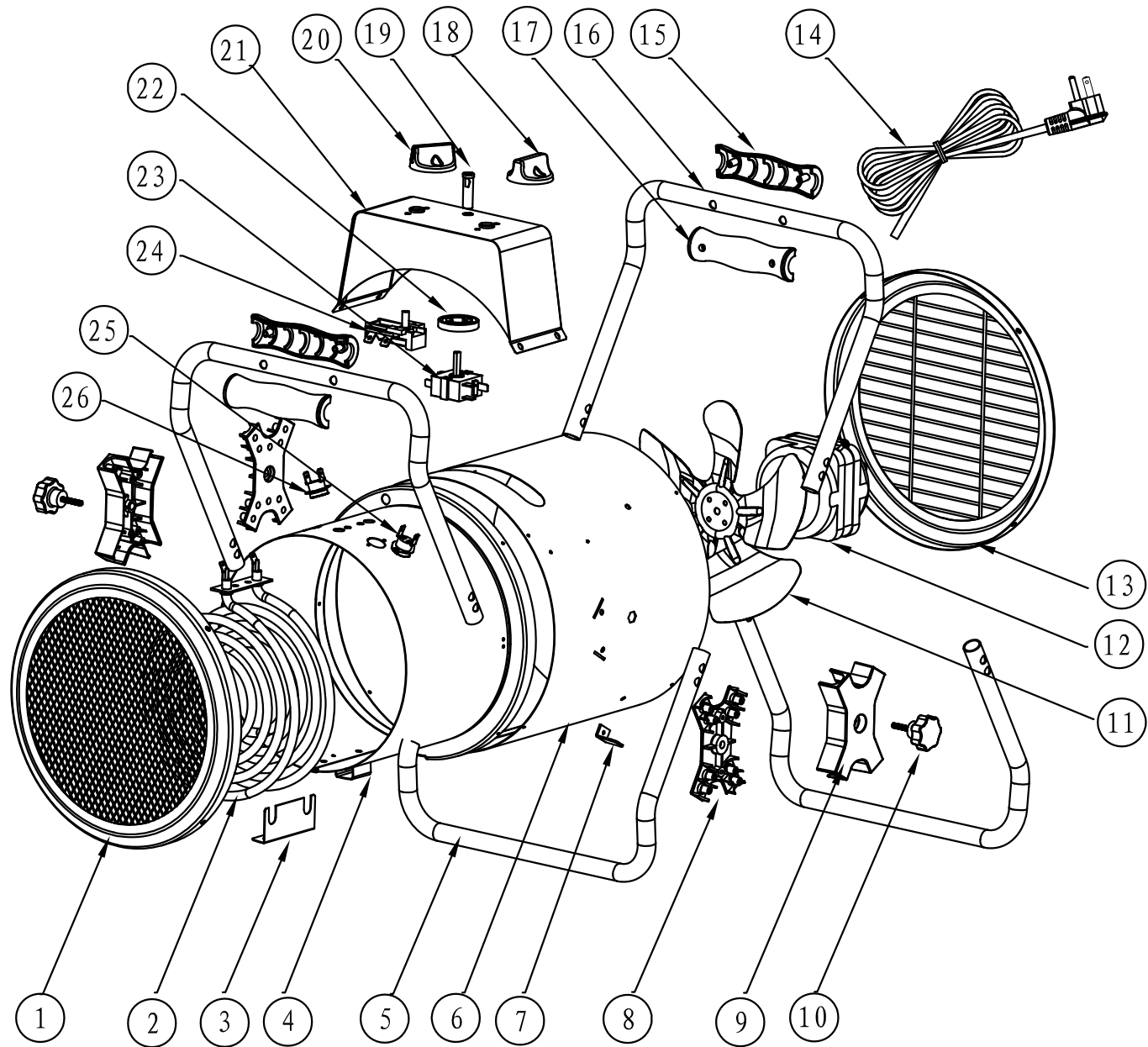
N°	Pièce	Description	Qté
1	41200	Grillage de sortie	1
2	41201	Élément de chauffage	1
3	41202	Chambre interne	1
4	41203	Support de l'élément	1
5	41204	Pattes	2
6	41205	Butées d'angle	4
7	41206	Hélice du ventilateur	1
8	41207	Appui du support de poignée/patte	2
9	41208	Retenue du support de poignée/patte	2
10	41209	Bouton de rétention d'ajustement d'angle	2
11	41210	Moteur du ventilateur	1
12	41211	Grillage d'entrée	1
13	41212	Cordon d'alimentation avec fiche	1

N°	Pièce	Description	Qté
14	41213	Poignées	2
15	41214	Bouton du thermostat	1
16	41215	DEL d'indication de faute	1
17	41216	Bouton de contrôle	1
18	41217	Boîtier de contrôle	1
19	41218	Enroulement du thermostat	1
20	41219	Thermostat	1
21	41220	Poignée du haut	2
22	41221	Commutateur de contrôle	1
23	41222	Poignée du bas	2
24	41223	Interrupteur de haute limite	1
25	41224	Interrupteur de haute limite	1
26	41225	Baril extérieur	1

SCHÉMA DE CÂBLAGE DU MH360FAET



MH360FAET



N°	Pièce	Description	Qté
1	41226	Grillage de sortie	1
2	41227	Élément de chauffage	1
3	41203	Support de l'élément	1
4	41228	Chambre interne	1
5	41229	Pattes	2
6	41230	Baril externe	4
7	41205	Butées d'angle	1
8	41207	Appui du support de poignée/patte	2
9	41208	Retenue du support de poignée/patte	2
10	41209	Bouton de rétenion d'ajustement d'angle	2
11	41231	Hélice du ventilateur	1
12	41232	Moteur du ventilateur	1
13	41233	Grillage d'entrée	1

N°	Pièce	Description	Qté
14	41234	Cordon d'alimentation	2
15	41220	Prise supérieure	1
16	41235	Poignée	1
17	41222	Prise inférieure	1
18	41236	Bouton du thermostat	1
19	41215	Témoin d'alimentation à DEL	1
20	41216	Bouton de contrôle	1
21	41238	Boîtier de contrôle	2
22	41218	Enroulement du thermostat	1
23	41219	Thermostat	2
24	41221	Commutateur de contrôle	1
25	41223	Interrupteur de haute limite	1
26	41224	Interrupteur de haute limite	1



MANUEL DE L'UTILISATEUR ET INSTRUCTIONS D'OPÉRATION

N° de modèle

MH165FAET

MH360FAET



AVERTISSEMENT :

UTILISER UNIQUEMENT LES PIÈCES DE RECHANGE D'ORIGINE DU FABRICANT. L'UTILISATION D'AUTRES PIÈCES DE RECHANGE PEUT ENTRAÎNER DES BLESSURES OU UN DÉCÈS. LES PIÈCES DE RECHANGE SONT SEULEMENT DISPONIBLES DIRECTEMENT AUPRÈS DU FABRICANT ET ELLES DOIVENT ÊTRE INSTALLÉES PAR UNE AGENCE DE SERVICE QUALIFIÉE.

INFORMATION POUR LA COMMANDE DE PIÈCES :

APPROVISIONNEMENT : Il est possible d'acheter des accessoires auprès d'un détaillant local des produits MR. HEATER ou directement du fabricant.

POUR DE L'INFORMATION CONCERNANT LE SERVICE

Veuillez appeler sans frais au numéro 800-251-0001 ou visiter notre site Web à l'adresse www.mrheater.com

Nos heures d'ouverture de bureau sont de 8h00 à 17h00, HNE, du lundi au vendredi.

Veuillez inclure le numéro de modèle, la date d'achat et une description du problème dans toutes vos communications.

GARANTIE LIMITÉE

MR. HEATER, Inc., garantit ses radiateurs et accessoires pour être libres de tout vice de matériau et de main-d'œuvre pour une période d'une (1) année de la date d'achat. MR. HEATER, Inc., va réparer ou remplacer ce produit sans frais s'il a été prouvé qu'il soit défectueux, pendant une période d'une (1) année, et s'il a été retourné aux frais du client avec la preuve d'achat à l'attention de MR. HEATER, Inc., pendant la période de garantie.

MR. HEATER, Inc., se réserve le droit de faire des changements en tout temps, sans préavis ni obligation, dans les couleurs, les spécifications, les accessoires, les matériaux et les modèles.

MR. HEATER, INC., 4560 W. 160TH ST., CLEVELAND, OHIO 44135 • 800-251-0001

MR. HEATER est une marque déposée de MR. HEATER, Inc.

© MR. HEATER/MR. HEATER, 2017. Tous droits réservés.

