

Installer: Leave this manual with the appliance. Consumer: Retain this manual for future reference.

OPERATING INSTRUCTIONS AND OWNER'S MANUAL

READ INSTRUCTIONS CAREFULLY: Read and follow all instructions. Place instructions in a safe place for future reference. Do not allow anyone who has not read these instructions to assemble, light, adjust or operate the heater.

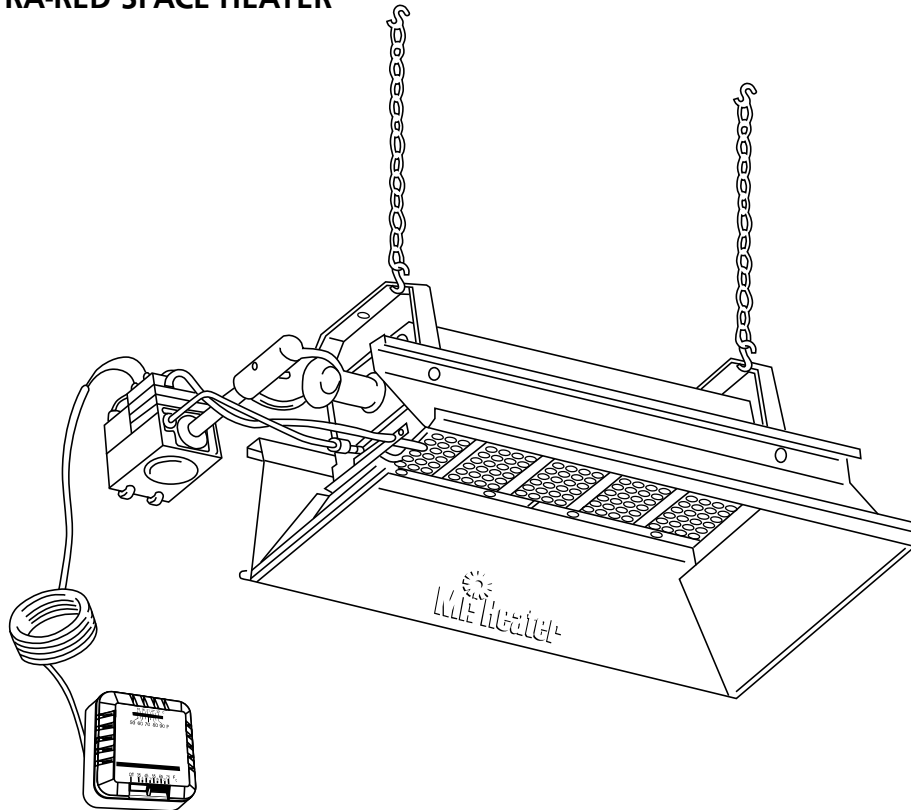
MR. HEATER

MODEL

MH40NG

MH40LP

GAS FIRED INFRA-RED SPACE HEATER



WARNING: If the information in this manual is not followed exactly, a fire or explosion may result causing property damage, personal injury or loss of life.

- Do not store or use gasoline or other flammable vapors and liquids in the vicinity of this or any other appliance.
- WHAT TO DO IF YOU SMELL GAS
 - Shut off gas supply
 - Do not try to light appliance
 - Do not touch an electrical switch; do not use any phone in your building
 - Immediately call your gas supplier from a neighbor's phone.
Follow the gas supplier's instructions
 - If you cannot reach your gas supplier, call the fire department
- Installation and service must be performed by a qualified installer, service agency or the gas supplier.

This is an unvented gas-fired portable heater. It uses air (oxygen) from the area in which it is used. Adequate combustion and ventilation air must be provided. Refer to page 5.

WARNING:

⚠ Improper installation, adjustment, alteration, service or maintenance can cause property damage, injury or death. Read the installation, operation, and maintenance instructions thoroughly before installing or servicing this equipment. For assistance or additional information consult a qualified installer, service agency, or gas supplier.

WARNING:

⚠ When used without fresh air, heater may give off CARBON MONOXIDE, an odorless poisonous gas. OPEN WINDOW AN INCH OR TWO FOR FRESH AIR WHEN USING HEATER.

WARNING:

⚠ This heater is equipped with a PILOT LIGHT SAFETY SYSTEM. DO NOT TAMPER WITH PILOT LIGHT SAFETY SYSTEM.

WARNING:

⚠ If heater shuts off, do not relight until you provide fresh air. If heater keeps shutting off, have it serviced. Keep burner and control clean. Open door for 5 minutes.

Maintain clearances as shown in Figure 2 or on heater nameplate.

- DO NOT USE MATCH OR OTHER FLAME FOR LEAK TESTING.
- DO NOT EXCEED 1/2 PSI INLET PRESSURE TO HEATER.

DANGER:

Carbon monoxide poisoning may lead to death.

Carbon Monoxide Poisoning:

Early signs of carbon monoxide poisoning resemble the flu, with headaches, dizziness, or nausea. If you have these signs, the heater may not be working properly. Get fresh air at once! Have heater serviced. Some people are more affected by carbon monoxide than others. These include pregnant women, persons with heart or lung disease or anemia, those under the influence of alcohol, and those at high altitudes.

CAUTION:

- Never connect gas valve or thermostat to line voltage or a transformer.
- If the infra-red color of the grid becomes dull when the building furnace is operating, consult gas supplier on correct gas supply piping sizes.
- This heater is for indoor installation only!

NOTE

Gasket binder material used in this heater assembly will temporarily emit an odor and/or vapor. This condition will clear up in approximately 20 minutes and thereafter will not reoccur. Refer to Chapter 9 for ventilation.

THE STATE OF CALIFORNIA REQUIRES THE FOLLOWING WARNING:

WARNING:

Combustion by-products produced when using this product contain carbon monoxide, a chemical known to the State of California to cause cancer and birth defects (or other reproductive harm).

TABLE OF CONTENTS

1. GENERAL INFORMATION	3	9. VENTILATION.....	5
2. CLEARANCES.....	3	10. START-UP PROCEDURE	5
3. SUSPENSION	4	11. HEATER SHUTDOWN	5
4. GAS SUPPLY.....	4	12. OPERATOR MAINTENANCE INSTRUCTIONS	5
5. PIPING REQUIREMENTS	4	13. REPLACING THE GAS VALVE UNIT	7
6. GAS PRESSURE	4	14. FREQUENCY OF OPERATOR CHECKS	7
7. ELECTRICAL.....	4	15. REPLACEMENT PARTS LIST	7
8. THERMOSTAT & LOCATION.....	4	16. WARRANTY	8

1. GENERAL INFORMATION

- Your heater comes fully assembled and is tested at the factory for proper gas and input as stated on the name plate.
- Before proceeding with the installation, be sure to inspect for damages. Freight company must be notified of any damages and request that the inspection be made. MR. HEATER will send replacement parts for damaged parts only after receiving a signed inspection report to prove the liability of the freight company.
- Do not attempt to operate heater with any other gas than that indicated on the heater name plate.
- The installation of heater must conform with local building codes, or in absence of local codes, with the National Fuel Gas Code, ANSI Z223.1a/NFPA54, and Standard for Storage and Handling of Liquefied Petroleum Gases, ANSI/NFPA 58.
- Canadian installations must comply with CAN/CGA-B149.1.2 Gas Code which can be purchased from the CSA (Canadian Standards Association) website @ <http://www.csa.ca> or by calling 1-800-463-6727.
- Plugged 1/8" N.P.T. Test Gage Connection is located on the Heater Gas Valve or a 1/8" N.P.T. Connection is located on the outside of the Cast Venturi.
- Contact the factory when appliance is to be installed at high altitudes. Factory supplies high-altitude conversion kits with instructions and data plates.

For additional information, contact;

MR. HEATER CORPORATION
CUSTOMER SERVICE DEPT.
CLEVELAND, OHIO
1-800-251-0001

*The following extra NFPA manuals are helpful when installing MR. HEATER in a location not anticipated in this manual:

Number	Related Subject
NFPA 88	Clearances to Combustible Surfaces
NFPA 409	Clearances to Combustible Surfaces

⚠ DO NOT EXCEED 1/2 PSI INLET PRESSURE TO HEATER

2. CLEARANCES

Minimum clearances to combustibles (Refer to Table 3). Also between control end of heater for servicing and minimum on top and sides for ventilation and combustion air supply.

A minimum clearance of 8' above floor for public garages in accordance with ANSI/NFPA No. 409 most recent edition, or Table 3; the larger dimension of ANSI/NFPA No. 409 or Table 3 is to be used.

*When selecting installation locations for MR. HEATER ensure that the opening of any exterior or interior doors or windows will not violate clearances or contact any heater components.

Table 1. BTU Ratings and Supply Pressures

MODEL NO.	BTU/HR. RATING		GAS SUPPLY PRESSURE (W.C.)						ORIFICE SIZE	
	GAS		MIN.		MAX.		MANIFOLD		SIZE	
	NATURAL	PROPANE	NAT.	L.P.	NAT.	L.P.	NAT.	L.P.	NAT.	L.P.
MH/HS40NG	40,000	—	6.8" W.C.	—	7" W.C.	—	5.8"	—	37	—
MH/HS40LP	—	40,000	—	11" W.C.	—	14" W.C.	—	10"	—	50

Table 2. Heater Dimensions and Orifice Sizes

MODEL NO.	OPERATING PRESSURE	ORIFICE SIZE		INPUT BTU/H	SIZE			
		BURNER	PILOT		WIDTH	LENGTH	HEIGHT	WEIGHT
MH/HS40NG	6.8"w.c.	37	.023	40,000	19-1/4"	30-1/4"	12"	25 lbs.
MH/HS40LP	10"w.c.	50	.015	40,000	19-1/4"	30-1/4"	12"	25 lbs.

Table 3. Installation, Ventilation and Mounting Information

MODEL NO.	BTU/HR. RATING		NORMAL MOUNTING POSITION	CLEARANCES TO COMBUSTIBLE SURFACES			
	GAS			TOP	SIDES	BACK	BELOW
	NAT.	L.P.					
MH/HS40NG	40,000	—	HORIZ-30°	34"	30"	30"	68"
MH/HS40LP	—	40,000	HORIZ-30°	34"	30"	30"	68"

3. SUSPENSION

Heater has four mounting holes, two on each end, for attaching rod, chain, or angle iron brackets and shall be safely and adequately fixed in position independent of gas and electric supply lines.

4. GAS SUPPLY

Provide adequate gas supply for rated input of each heater using American Standard Installation of gas piping and gas appliances in building. ANSI Z223.1a/NFPA 54 pamphlet, Table C-3 shows capacity of pipe of different diameters and lengths in cubic feet per hour natural gas with pressure drop of 0.3 inches, specific gravity of 0.60. For liquefied Petroleum Gas (LP) capacity refer to Figures 3. On threaded pipes use a pipe compound which is resistant to the action of all gases.

If gas lines are to be pressure tested with compressed air, disconnect each heater to prevent control damage and cap outlets. After reconnecting all heaters, purge gas lines of air and check all connections for leaks using soap solution. Liquid dishwashing detergent is an excellent leak detector.

5. PIPING REQUIREMENTS

All piping installed must comply with local codes and ordinances or with the National Fuel Gas Code, ANSI Z223.1 (NFPA 54), whichever takes precedence. When installing piping, the following requirements must be taken into consideration:

- Use new properly reamed black pipe free from chips.
- Apply a good quality pipe compound to all male threads prior to assembly. If L.P. gas is the fuel, ensure that pipe compound is resistant to L.P. gas. **DO NOT USE TEFLON™ tape.**
- Prior to installation, apply pipe compound to all male threads as shown in Figure 1.

USE MODERATE AMOUNT OF PIPE DOPE

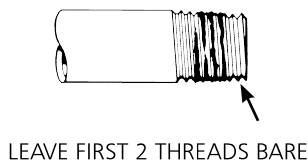


Figure 1. Pipe Compound Application

- Male threads on pipe to be installed into gas valve shall meet the requirements of Figure 2. Threads longer than those shown in the figure may cause gas valve distortion and malfunction.
- A sediment trap meeting the typical requirements of Figure 3 shall be installed in the line to the gas valve.
- A dedicated shutoff valve for the heater must be installed in

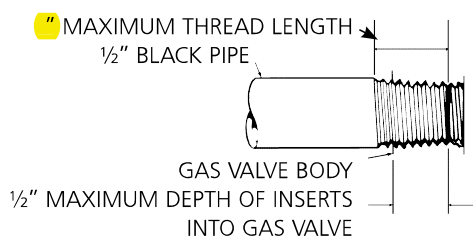


Figure 2. Gas valve connection requirements

the gas supply line.

NOTE:

1. Only Use A Pipe Compound Which Is Resistant To Liquefied Gases On L.P. Installations.
2. Fittings Shown Are Not Included With Heater.

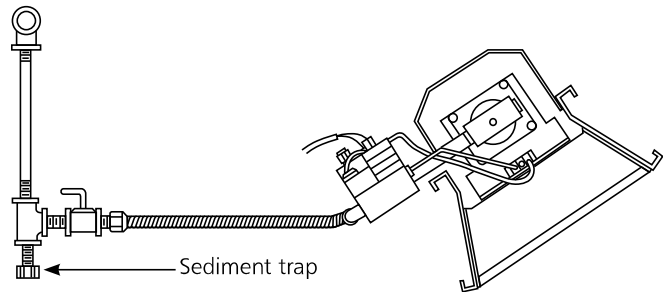


Figure 3. Typical Piping Installation

6. GAS PRESSURE

When a higher than the maximum recommended gas pressure is being maintained at the main gas line, a separate regulator must be installed ahead of the heater. Refer to Table 1 on page 3 for maximum allowable pressure for stated heater model and gas. See heater rating plate for minimum gas supply pressure "For the Purpose of Input Adjustment."

On a multiple heater installation it may be possible to use one large capacity regulator or an individual regulator for each heater. Nevertheless, it is recommended practice to make the entire pipe system a loop.

Contact your local representative or the factory for proper gas pressure reducing design stage.

7. ELECTRICAL

NEVER CONNECT POWERPILE GAS VALVE OR THERMOSTAT TO LINE VOLTAGE OR A TRANSFORMER.

8. THERMOSTAT & LOCATION

Make sure that the electrical characteristics of the thermostat match those of the heater controls. For best results thermostat should be positioned 5 ft. above floor where air can circulate freely around it. **DO NOT MOUNT directly to cold-side wall, in direct drafts, or directly beneath the infra-red heater.**

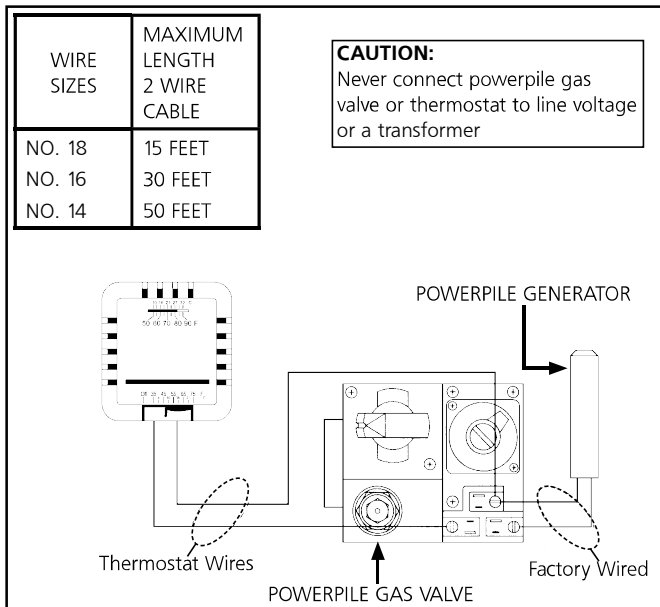
Ensure that the selected thermostat location meets all of the above requirements. Refer to the instructions that come with the thermostat for additional general information and mounting instructions.

If the wall is of stud and wallboard construction, then use the #6 by 1 inch sheet metal screws, included with the thermostat, and mount the thermostat in the selected location.

If wall is brick or masonry, the appropriate anchors must be obtained to accommodate the thermostat mounting screws. Use the back plate of the thermostat as a template to mark the hole location, drill appropriate size anchor holes, install the anchors and securely attach the thermostat using the mounting screws.

Connect the thermostat wires to gas valve as shown in Figure 4.

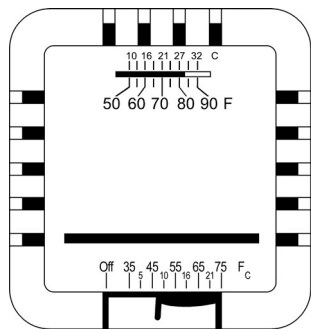
Figure 4 connection diagram



9. VENTILATION

- The minimum intake and exhaust air openings shall provide for not less than 400 CFM for every 100,000 BTU input except that the infiltration area may be included in the intake area.
- Where natural (gravity) ventilation is provided for exhaust, the openings must be distributed above the heaters (preferably at the peak of the roof) and the areas of openings shall not be less than 300 square inches for every 100,000 BTU input.

10. START-UP PROCEDURE



OPEN THE GAS SUPPLY VALVE OR VALVES.

Figure 5. Thermostat controls

Set the thermostat to the OFF position. See Figure 5. If the manual gas control knob on the gas valve is not in the OFF position, partially depress the knob and rotate to the OFF position. See Figure 6.

Wait 5 minutes to allow gas that may have accumulated in the main burner to escape (especially important after installation).

Turn the manual gas control knob to the PILOT position.

Depress the manual gas control knob. Using a match, light the pilot light. See Figure 6. Hold the knob down for approximately 30 seconds to allow any air in gas lines to pass through pilot and,

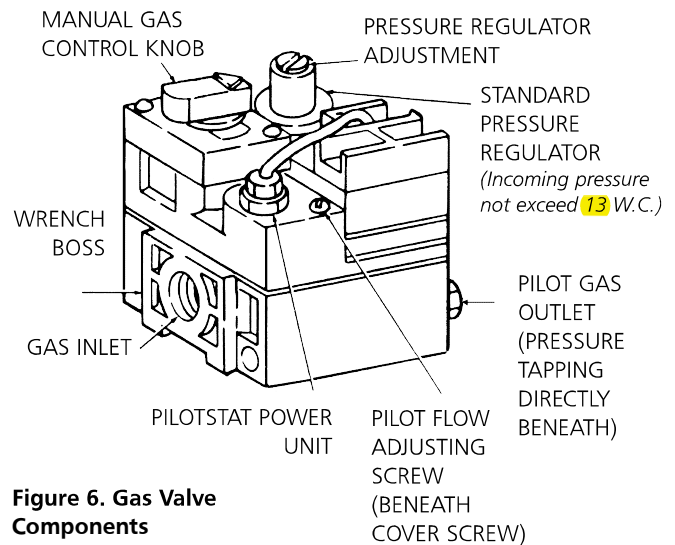


Figure 6. Gas Valve Components

once the pilot is lit, allow the thermocouple to heat up enough to activate the safety valve in an open position.

Release manual gas control knob and turn to ON. Reset thermostat to desired temperature.

NOTE:

During the initial startup of MR. HEATER an odor and, perhaps, some vapor will come from the heater. This is the gasket binding material emitting this odor and/or vapor. After approximately 20 minutes this odor will disappear and not occur again.

11. SHUTDOWN

- Turn thermostat to OFF.
- Turn manual gas control knob on gas valve to PILOT position.
- Partially depress knob and rotate to the OFF position.
- Close gas supply valves.

12. OPERATOR MAINTENANCE INSTRUCTIONS

1. TROUBLESHOOTING

- Table 4 lists the common malfunctions which you may find during the operation or maintenance of your heater.
- For additional information refer to Honeywell Field Bulletin enclosed in the heater carton.
- In the event, results cannot be obtained after performing all listed solutions, call your Mr. Heater dealer, or the factory customer service department at 1-800-251-0001.

2. ADJUSTING THE PILOT FLAME

The pilot flame should envelope $\frac{3}{8}$ to $\frac{1}{2}$ in. (10 to 13mm) of the

PROPER FLAME ADJUSTMENT

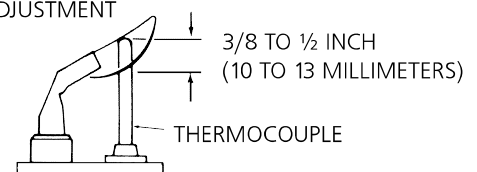


Figure 7. Proper flame adjustment

tip of the thermocouple or generator. To adjust the pilot flame, refer to Figure 7.

- Remove pilot adjustment cover screw. Refer to Figure 8.
- Turn inner adjustment screw clockwise to decrease or counter-clockwise to increase pilot flame.
- Always replace cover screw after adjustment and tighten firmly to ensure proper operation.

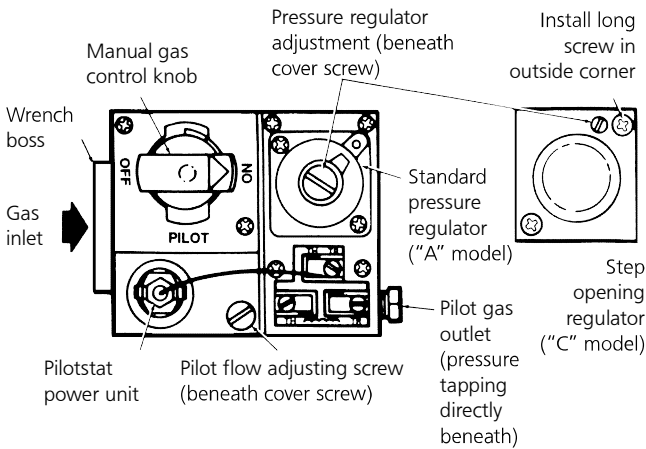


Figure 8. Top view of standard capacity gas control.

TABLE 4. TROUBLESHOOTING CHART

Below in chart form are various symptoms of a malfunctioning system, possible defects that will cause these symptoms and suggested corrective measure. The chart assumes that the proper

SYMPTOMS	CAUSES	SOLUTIONS
Burner light off very slow	Partially blocked pilot orifice Pilot out of adjustment	Re-adjust pilot Replace
Burner light off very slowly Color stays dull	Partially blocked burner orifice	Replace
Burner flashback (roaring noise during operation and ceramic grid surface will be dark)	Low gas pressure Damaged burner	Correct line pressure or call your gas supplier Replace
Ceramic grid or burner sooting up (when new or after cleaning)	First check for damaged burner orifice If burner orifice is not damaged then check for damaged manifold.	Replace if damaged Replace
Pilot cannot be ignited	Blocked pilot orifice Gas cock not in position Pilot gas flow adjustment screw may be closed	Replace Gas control knob must be turned to pilot and held depressed Open and adjust (see Figure 8)
Pilot lights but goes out	Defective thermocouple Defective control	Replace Replace
Pilot stays lit but main burner will not light	Loose wire or improperly wired Defective control Blocked burner orifice	Tighten connections, check wiring diagram Replace Clean orifice or replace
Failure to ignite	Main gas off Air in gas line Loose wire connections Dirty wire connections	Open manual valves Bleed gas line Tighten wire connections Clean terminals and secure terminals

13. REPLACING THE GAS VALVE UNIT

- Remove the two gas valve unit wires at the gas control valve labeled "PP."
- Unscrew gas valve from gas piping.
- Reconnect gas valve and unit wires to terminals "PP." Be sure to leave thermostat wire on one terminal.

14. FREQUENCY OF OPERATOR CHECKS

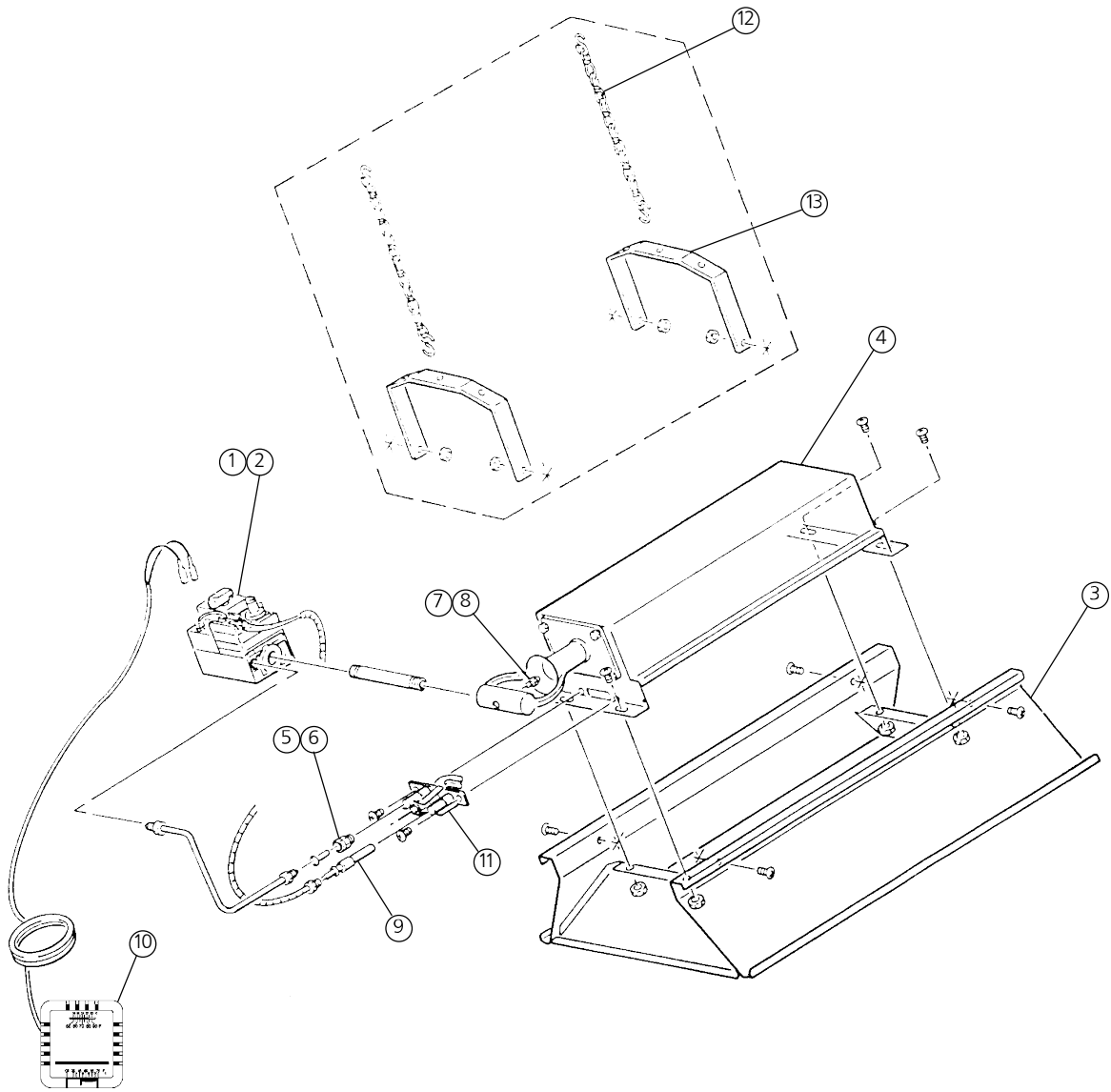
Intermittent Use

Appliances that are used seasonally should be checked before shutdown and again before the next use. Dusty, wet or corrosive environment. Since these environments can cause the gas control to deteriorate more rapidly, the system should be checked more often.

The gas control should be replaced if:

- It does not perform properly on checkout or troubleshooting.
- The gas control knob is hard to turn or push down, or it fails to pop back up when released.

gas pressure is available to the heater and that the lighting procedure is as stated on the plate attached to the heater.



MH40 REPLACEMENT PARTS LIST

ITEM NO	STOCK NO	DESCRIPTION	ITEM NO	STOCK NO	DESCRIPTION
1	00024	GAS-VALVE-NATURAL GAS	10	10367	THERMOSTAT
2	00025	GAS VALVE-PROPANE GAS	11	11406	PILOT BURNER NATURAL GAS
3	00434A	REFLECTOR ASSEMBLY	12	17374	CHAIN KIT
4	02523A	BURNER ASSEMBLY	13	F114581	HEATER HANGER KIT
5	05574	ORIFICE – PILOT NATURAL GAS	14	11405	PILOT BURNER L/P
6	05573	ORIFICE – PILOT PROPANE GAS	OPTIONAL CONVERSION KITS:		
7	05450	ORIFICE BURNER-PROPANE GAS	00286A	LP to NG Conversion
8	05437	ORIFICE – BURNER NAT. GAS	00285A	NG to LP Conversion
9	09360	THERMOCOUPLE-GENERATOR			

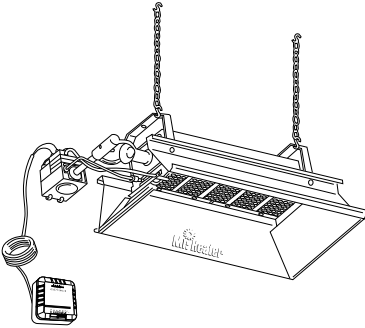
OPTIONAL DECORATIVE GRID KIT			
STOCK NO.	DESCRIPTION	STOCK NO.	DESCRIPTION
F204440	Grid Kit (Grid, Screws, Retention Clip)	F204441	Retro Fit Grid Kit (Reflector, Grid, Screws, Retention Clip)

MR. HEATER

MODEL

MH40NG
MH40LP

OPERATING INSTRUCTIONS AND OWNER'S MANUAL



WARNING:

USE ONLY MANUFACTURER'S REPLACEMENT PARTS. USE OF ANY OTHER PARTS COULD CAUSE INJURY OR DEATH. REPLACEMENT PARTS ARE ONLY AVAILABLE DIRECT FROM THE FACTORY AND MUST BE INSTALLED BY A QUALIFIED SERVICE AGENCY.

PARTS ORDERING INFORMATION:

PURCHASING: Accessories may be purchased at any Mr. Heater local dealer or direct from the factory

FOR INFORMATION REGARDING SERVICE

Please call Toll-Free 800-251-0001
www.mrheater.com

Our office hours are 8:00AM – 5:00 PM, EST, Monday through Friday.

Please include the model number, date of purchase, and description of problem in all communication.

LIMITED WARRANTY

Enerco Group, Inc. warrants its heaters and accessories to be free from defects in material and workmanship for a period of 1 year from date of purchase. Enerco Group, Inc. will repair or replace this product free of charge if it has been proven to be defective within the 1-year period, and is returned at customer expense with proof of purchase to Enerco Group, Inc. within the warranty period.

Enerco Group, Inc. reserves the right to make changes at any time, without notice or obligation, in colors, specifications, accessories, materials and models.

ENERCO GROUP, INC., 4560 W. 160TH ST., CLEVELAND, OHIO 44135 • 216-916-3000
Mr. Heater and Portable Buddy are registered trademarks of Enerco Group, Inc.
© 2017, Enerco/Mr. Heater. All rights reserved



ANSI Z83.19a-2002
CSA 2.35a-2002

Instalador: deje este manual junto con el artefacto. Consumidor: conserve este manual para referencia futura.

INSTRUCCIONES DE USO Y MANUAL DEL USUARIO

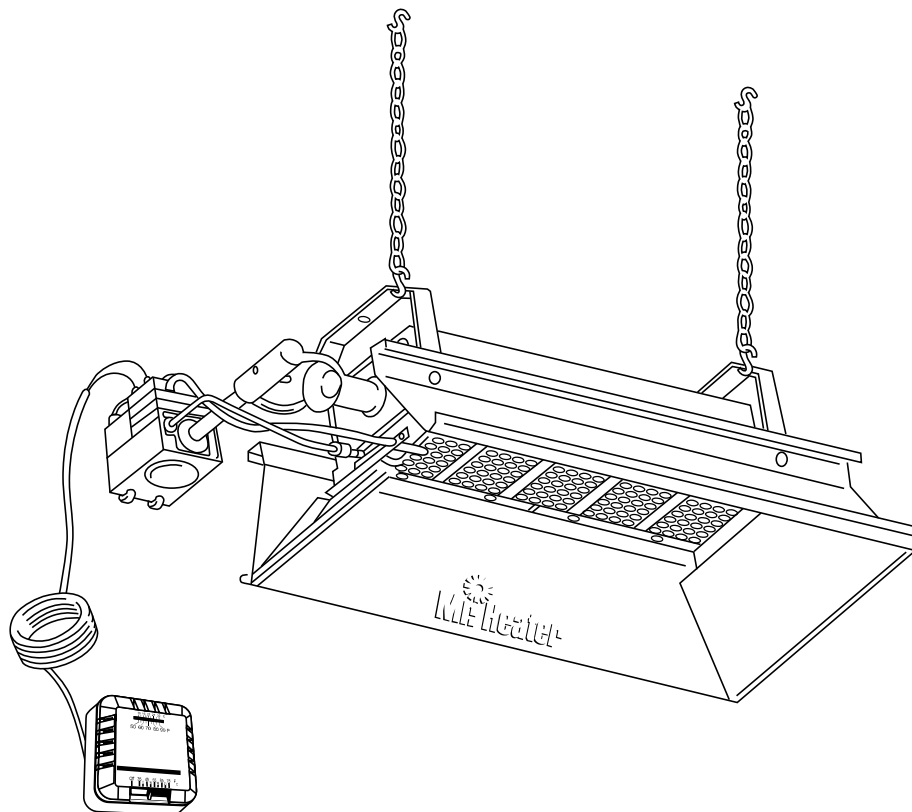
LEA CUIDADOSAMENTE LAS INSTRUCCIONES: lea y siga todas las instrucciones. Conserve estas instrucciones en un lugar seguro para futura referencia. No permita que nadie que no haya leído estas instrucciones arme, encienda, ajuste o use el calentador.

MR. HEATER

MODEL

MH40NG
MH40LP

CALENTADOR INFRARROJO A GAS PARA TALLERES



ADVERTENCIA: Si no se siguen al pie de la letra las instrucciones de este manual, podría producirse un incendio o una explosión que provocaría daños materiales, lesiones o muertes

- No almacene ni utilice gasolina ni ningún otro vapor ni líquido inflamable cerca de este ni de ningún otro artefacto.
- QUÉ HACER SI DETECTA OLOR A GAS
 - Cierre el suministro de gas.
 - No intente encender el artefacto.
 - No toque ningún interruptor eléctrico; no use el teléfono dentro del edificio.
 - Llame inmediatamente al proveedor de gas desde el teléfono de un vecino.
Siga las instrucciones del proveedor de gas
 - Si no puede comunicarse con el proveedor de gas, llame al departamento de bomberos
- La instalación y las reparaciones deben ser realizadas por un instalador, una agencia de reparación o un proveedor de gas calificados

Este calentador portátil a gas no tiene una fuente propia de ventilación. Utiliza el aire (oxígeno) del área en la cual se emplea. Debe suministrarse el aire necesario para la ventilación y la combustión. Consulte la página 5.

ADVERTENCIA:

⚠ La instalación, el ajuste, la alteración, las reparaciones o el mantenimiento inadecuados pueden provocar daños materiales, lesiones o muertes. Lea cuidadosamente las instrucciones de instalación, uso y mantenimiento antes de instalar o reparar este equipo. Para obtener asistencia o información adicional, consulte con un instalador, una agencia de reparación o un proveedor de gas calificados.

ADVERTENCIA::

⚠ Cuando se utiliza sin aire fresco, es posible que el calentador despidiera MONÓXIDO DE CARBONO, un gas venenoso inodoro. ABRA LA VENTANA UNA O DOS PULGADAS PARA QUE CORRA AIRE FRESCO CUANDO UTILICE EL CALENTADOR.

ADVERTENCIA::

⚠ Este calentador está equipado con un SISTEMA DE SEGURIDAD DE ENCENDIDO DEL PILOTO. NO MODIFIQUE EL SISTEMA DE SEGURIDAD DE ENCENDIDO DEL PILOTO.

ADVERTENCIA::

⚠ Si el calentador se apaga, no vuelva a encenderlo sin antes dejar correr aire fresco. Si el calentador sigue apagándose, hágalo reparar. Mantenga el quemador y el control limpios. Abra la puerta durante 5 minutos.

Mantenga distancia, como se muestra en la Figura 2 o en la placa del calentador.

- NO UTILICE FÓSFOROS NI NINGUNA OTRA LLAMA PARA VERIFICAR LAS FUGAS.
- NO EXCEDA LOS 3,44 kPa (1/2 PSI) DE PRESIÓN DE ENTRADA AL CALENTADOR.

PELIGRO:

La intoxicación con monóxido de carbono puede llevar a la muerte

Intoxicación con monóxido

de carbono:

Los primeros síntomas de la intoxicación con monóxido de carbono son gripe y dolor de cabeza, mareos o náuseas. Si presenta alguno de estos síntomas, puede ser que el calentador no esté funcionando correctamente. Tome aire fresco de inmediato. Llame al personal calificado para que le realice el servicio de mantenimiento al calentador. Algunas personas se ven más afectadas por el monóxido de carbono que otras. Esto incluye mujeres embarazadas, personas con problemas cardíacos o pulmonares, personas con anemia, personas que están bajo la influencia del alcohol y aquellas que se encuentran en altitudes elevadas.

CUIDADO:

- Nunca conecte la válvula de gas o el termostato a un voltaje de línea o a un transformador.
- Si el color infrarrojo de la rejilla se empalidece cuando el calentador del edificio está funcionando, consulte con el proveedor de gas sobre el tamaño correcto de la tubería de suministro de gas.
- Este calentador es apto solo para una instalación en interiores

IMPORTANTE

El material de las juntas utilizado en el armado de este calentador emitirá, momentáneamente, un olor o vapor. Esto se revertirá en aproximadamente 20 minutos y luego no volverá a suceder. Consulte el Capítulo 9 para obtener información sobre la ventilación.

EL ESTADO DE CALIFORNIA EXIGE LA SIGUIENTE ADVERTENCIA:

ADVERTENCIA::

Una de las sustancias que se desprende en la combustión al usar este equipo es el monóxido de carbono, un compuesto químico que de acuerdo con el estado de California produce cáncer y defectos de nacimiento (u otros daños reproductivos).

TABLE OF CONTENTS

1. INFORMACIÓN GENERAL	3	10. PROCEDIMIENTO DE ENCENDIDO	5
2. DISTANCIAS.....	3	11. APAGADO DEL CALENTADOR	5
3. SUSPENSIÓN	4	12. INSTRUCCIONES DE MANTENIMIENTO PARA EL OPERADOR	5
4. UMINISTRO DE GAS ..	4	13. REEMPLAZO DE LA UNIDAD DE LA VÁLVULA DE GAS.....	7
5. EQUISITOS DE LAS TUBERÍAS	4	14. RECUENCIA DE LAS VERIFICACIONES DEL OPERADORS	7
6. PRESIÓN DE GAS	4	15. LISTA DE REPUESTOS MH40	7
7. ELECTRICIDAD	4	16. GARANTÍA	8
8. THERMOSTATO Y UBICACIÃ“N	4		
9. VENTILATION.....	5		

1. GENERAL INFORMATION

- El calefactor viene completamente armado y se lo prueba en la fábrica para verificar que el gas y la entrada indicados en la placa sean correctos.
- Antes de seguir con la instalación, verifique que la unidad no esté dañada. Debe notificar a la compañía de transporte acerca de cualquier daño y solicitar que inspeccionen la unidad. MR. HEATER enviará repuestos para las partes dañadas solamente después de recibir un informe de inspección firmado para demostrar la responsabilidad de la compañía de transporte.
- No intente usar el calentador con ningún otro gas que no sea el que se indica en la placa del calentador.
- La instalación del calentador debe cumplir con los códigos de fabricación locales, o en ausencia de dichos códigos, con el Reglamento nacional de combustible gaseoso, ANSI Z223.1a/NFPA54, y con las Normas para el almacenamiento y manipulación de gases licuados del petróleo, ANSI/NFPA 58.
- Las instalaciones en Canadá deben cumplir con el Código de gas CAN/CGA-B149.1.2 que se puede adquirir en el sitio web de la Asociación Canadiense de Normas (Canadian Standards Association, CSA) en <http://www.csa.ca> o llamando al 1-800-463-6727.
- La conexión de medición de prueba conectada de 0,32 cm (1/8 pulgadas) N.P.T. está ubicada en la válvula de gas del calentador o una conexión de 0,63 cm (1/4 pulgadas) N.P.T. está ubicada en la parte exterior del Cast Venturi.
- Póngase en contacto con el fabricante cuando el artefacto deba instalarse en altitudes elevadas. El fabricante proporciona juegos de conversión para altitudes elevadas con instrucciones y placas con información.

Para mayor información, comuníquese con:

MR. HEATER CORPORATION
DEPARTAMENTO DE SERVICIO AL CLIENTE
CLEVELAND, OHIO • 1-800-251-0001

*Los siguientes manuales adicionales de la NFPA son útiles cuando se debe instalar un MR. HEATER en un lugar no previsto en este manual:

Número	Tema relacionado
NFPA 88	Distancias a superficies combustibles
NFPA 409	Distancias a superficies combustibles

⚠ NO EXCEDA LOS 3,44 kPa (½ PSI) DE PRESIÓN DE ENTRADA A LAS DISTANCIAS

2. CLEARANCES

Distancias mínimas a combustibles (consulte la Tabla 3). Proporcione distancias adecuadas a los combustibles (vea la Tabla 3) y también entre el extremo de control del calentador para su mantenimiento y el mínimo en la parte superior y a los costados para que haya ventilación y suministro de aire de combustión.

Una distancia mínima de 2,5 m (8 pies) por encima del suelo en garajes públicos de acuerdo con la edición más reciente de ANSI/NFPA N.º 409, o con la Tabla 3. Se debe utilizar la dimensión más grande de ANSI/NFPA N.º 409 o de la Tabla 3.

*Cuando seleccione los lugares donde instalará MR. HEATER, asegúrese de que la apertura de las puertas o ventanas exteriores o interiores no afecte las distancias ni toque ningún componente del calentador.

Tabla 1. Especificaciones de BTU y presiones del suministro

MODELO	INDICE EN BTU/HR.		PRESIÓN DEL SUMINISTRO DE GAS (W.C.)						TAMAÑO DEL ORIFICIO	
	GAS		MIN.		MAX.		COLECTOR			
MH/HS40NG	NATURAL 40,000	PROPANO	NAT.	LP	NAT.	L.P.	NAT.	L.P.	NAT.	L.P.
		—	17.3 cm 6.8 W.C	—	18 cm 7.0 W.C.	—	14.7 cm 5.8" WC	—	37	—
MH/HS40LP	—	40,000	—	28 cm 11"WC	—	35.6 cm 14"W.C.	—	25.4 cm 10" W.C.	—	50

Tabla 2. Dimensiones del calentador y tamaño de los orificios

MODELO	PRESIÓN DE FUNCIONAMIENTO		TAMAÑO DE ORIFICIO		BTU/HR DE	TAMAÑO			
			QUEMADOR	PILOTO	ENTRADA	ANCHO	LONGITUD	ALTURA	PESO
MH/HS40NG	6.8"W.C.		37	.023	40,000	ANCHO	LONGITUD	ALTURA	PESO
						49 cm 19-1/4"	76.8 cm 30-1/4"	30.5 cm 12"	11.3 kg 25lbs
MH/HS40LP	—	10" W.C.	50	0.015	40,000	49 cm 19-1/4"	76.8 cm 30-1/4"	30.5 cm 12"	11.3 kg 25lbs

Tabla 3. Información sobre instalación, ventilación y montaje

MODELO	ÍNDICE EN BTU/HR.		POSICIÓN NORMAL DE MONTAJE	DISTANCIAS A SUPERFICIES COMBUSTIBLES			
	GAS			ARRIBA	LADOS	ATRÁS	ABAJO
	NATURAL	L.P.					
MH/HS 40NG	40,000	—	30° HORIZONTAL	86,36 cm (34")	76,20 cm (30")	76,20 cm (30")	1,72 m (68")
MH/HS 40LP	—	40,000	30° HORIZONTAL	86,36 cm (34")	76,20 cm (30")	76,20 cm (30")	1,72 m (68")

3. SUSPENSIÓN

El calentador tiene cuatro orificios de montaje, dos en cada extremo, para sujetar la varilla, la cadena, o los soportes angulares de hierro y se debe fijar de manera segura y adecuada independientemente de las tuberías de suministro eléctrico y de gas.

4. SUMINISTRO DE GAS

Proporcione el suministro de gas adecuado para la entrada especificada de cada calentador mediante la instalación estándar americana de tuberías de gas y artefactos a gas en edificios. Panfleto del ANSI Z223.1a/NFPA 54, la Tabla C-3 muestra la capacidad de las tuberías de gas natural de diferentes diámetros y longitudes en pies cúbicos por hora con una caída de presión de 0,76 cm (0,3 pulgadas), una gravedad específica de 0,60. Para obtener información sobre la capacidad del gas licuado del petróleo (liquefied Petroleum, LP), consulte la Figura 3. En las tuberías roscadas, utilice un compuesto para tuberías resistente a la acción de todos los gases.

Si las tuberías de gas se van a probar bajo presión con aire comprimido, desconecte todos los calentadores para evitar que se dañe el control y que se salgan las tapas. Después de volver a conectar todos los calentadores, purgue las tuberías de gas de aire y verifique todas las conexiones con una solución de jabón para asegurarse de que no haya fugas. El detergente líquido para lavar los platos es un excelente detector de fugas.

5. PIPING REQUIREMENTS

Todas las tuberías instaladas deben cumplir con los códigos y las ordenanzas locales o con el Reglamento nacional de combustible gaseoso, ANSI Z223.1 (NFPA 54), el que tenga prioridad. Cuando instale la tubería, debe tener en cuenta los siguientes requisitos:

- Utilice la nueva tubería negra adecuadamente escariada sin virutas
- Coloque un compuesto para tuberías de buena calidad en todas las roscas macho antes del armado. Si el gas L.P. es el combustible, asegúrese de que el compuesto para tuberías sea resistente al gas L.P. NO UTILICE cinta TEFLON™.
- Antes de la instalación, coloque compuestos para tuberías en todas las roscas macho, como se muestra en la Figura 1.

UTILICE UNA CANTIDAD MODERADA DE PEGAMENTO PARA TUBERÍAS

DEJE LAS 2 PRIMERAS ROSCAS SIN PEGAMENTO

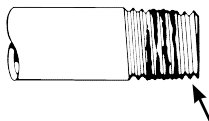


Figura 1. Colocación de compuestos para tuberías

- Las roscas macho de la tubería que se instalarán en la válvula de gas deben cumplir con los requisitos de la Figura 2. Las roscas más largas que las que se muestran en la figura podrían hacer que la válvula de gas se deforme y funcione mal.
- Se debe instalar un separador de sedimentos que cumpla con los requisitos típicos de la Figura 3 en la tubería a la válvula de gas.
- Se debe instalar una válvula de cierre exclusiva para el

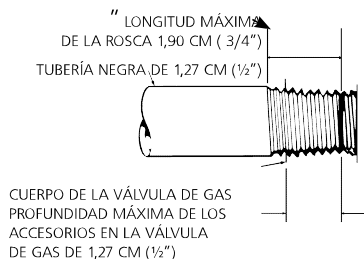


Figura 2. Requisitos de la conexión de la válvula de gas

Modelo # MH40NG/LP

calentador en la tubería de suministro de gas.

IMPORTANTE:

1. Utilice solo un compuesto para tuberías que sea resistente a los gases licuados en las instalaciones de L.P.
2. Los acoples que se muestran no están incluidos en el calentador.

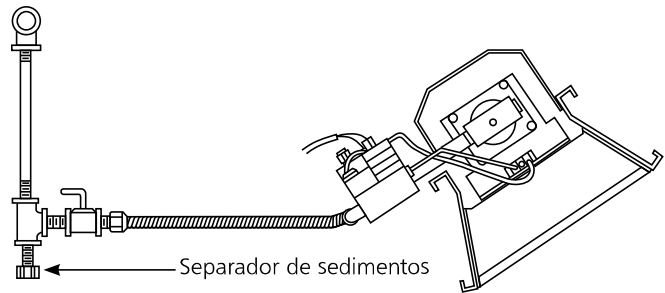


Figura 3. Instalación típica de las tuberías

6. PRESIÓN DE GAS

When a higher than the maximum recommended gas pressure is Cuando se mantiene una presión de gas más alta que la máxima recomendada en la tubería principal de gas, se debe instalar otro regulador antes que el calentador. Consulte la Tabla 1 en la página 3 para obtener información sobre la presión máxima permitida para el gas y el modelo de calentador indicado. Consulte la placa de especificaciones del calentador para obtener información sobre la presión mínima del suministro de gas "para ajustar la entrada".

Para una instalación de varios calentadores, es posible utilizar un regulador de gran capacidad o un regulador individual para cada calentador. Sin embargo, se recomienda hacer de todo el sistema de tuberías un circuito.

Póngase en contacto con su representante local o con el fabricante para obtener información sobre la fase de diseño de reducción de la presión de gas adecuada.

7. ELECTRICIDAD

NUNCA CONECTE LA VÁLVULA DE GAS POWERPILE O EL TERMOSTATO A UN VOLTAJE DE LÍNEA O A UN TRANSFORMADOR

8. TERMOSTATO Y UBICACIÓN

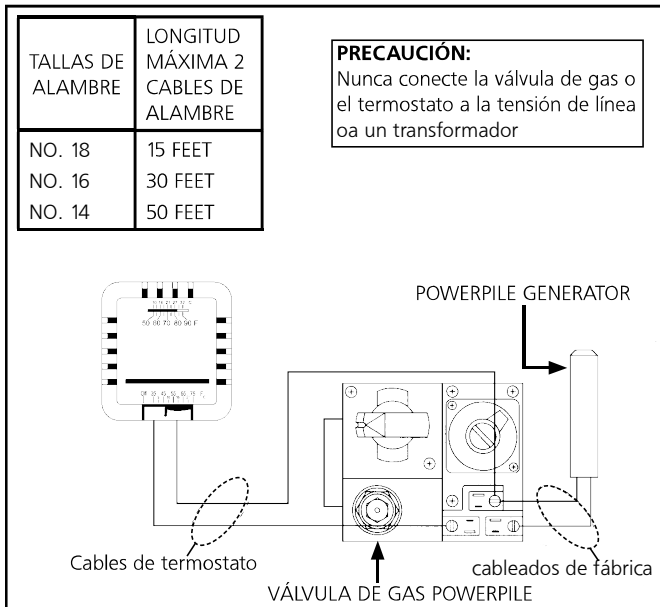
Asegúrese de que las características eléctricas del termostato coincidan con las de los controles del calentador. Para obtener mejores resultados, coloque el termostato a 1,5 m (5 pies) por encima del piso donde el aire pueda circular libremente alrededor de él. **NO LO INSTALE directamente en una pared lateral fría, en lugares donde haya corrientes de aire directas, ni directamente debajo del calentador infrarrojo.**

Asegúrese de que la ubicación elegida para el termostato cumpla con todos los requisitos mencionados anteriormente. Consulte las instrucciones que vienen con el termostato para obtener más información general y las instrucciones de montaje.

Si la pared está hecha de vigas y paneles de yeso, utilice los tornillos de chapa metálica N. 6 de 2,5 cm (1 pulgada), incluidos con el termostato, e instale el termostato en la ubicación elegida.

Si la pared está hecha de ladrillo o mampostería, se deben conseguir los anclajes adecuados para adaptar los tornillos de montaje del termostato. Utilice la placa posterior del termostato como plantilla para marcar la ubicación del orificio, perforo los orificios de anclaje del tamaño adecuado, instale los anclajes y sujete firmemente el termostato con los tornillos de montaje.

Conecte los cables del termostato a la válvula de gas, como se



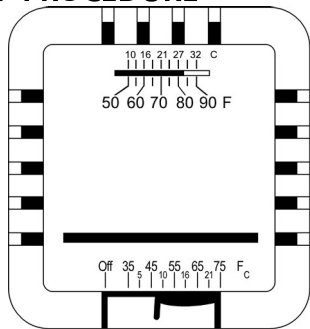
muestra en la Figura 4.

Figura 4: diagrama de conexión

9. VENTILATION

- Las aberturas mínimas de aire de entrada y salida deben proporcionar no menos de 679,6 m³/h (400 CFM) por cada entrada de 100.000 BTU excepto que el área de infiltración se incluya en el área de admisión
- Cuando se proporciona ventilación natural (por gravedad) a la salida, las aberturas se deben distribuir por encima de los calentadores (preferentemente en la parte más alta del techo) y las áreas de las aberturas no deben tener menos de 0,19 metros cuadrados (300 pulgadas cuadradas) por cada entrada de 100.000 BTU.

10. START-UP PROCEDURE



ABRA LA(S) VÁLVULA(S) DE SUMINISTRO DE GAS.

Figura 5. Controles del termostato

Coloque el termostato en la posición APAGADO (OFF). Vea la figura 5. Si la perilla manual de control de gas de la válvula de gas no se encuentra en la posición APAGADO, presione levemente la perilla y gírela hacia la posición APAGADO. Vea la figura 6.

Espere 5 minutos para permitir que salga el gas que se pudo haber acumulado en el quemador principal (especialmente importante después de la instalación).

Gire la perilla manual de control de gas hasta la posición PILOTO.

Presione la perilla manual de control de gas. Con un fósforo, encienda el piloto. Vea la figura 6. Mantenga la perilla presionada durante aproximadamente 30 segundos para permitir que el aire que se encuentra en las tuberías de gas pase por el piloto y, una
Modelo # MH40NG/LP

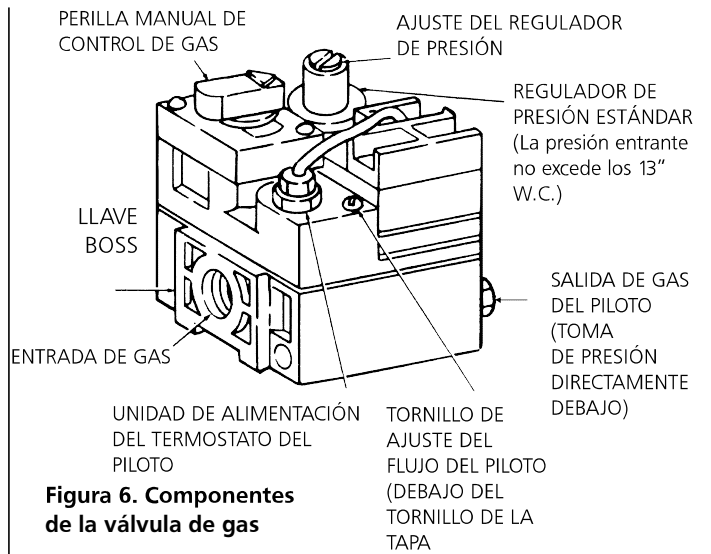


Figura 6. Componentes de la válvula de gas

vez que el piloto esté encendido, permita que la termocupla se caliente lo suficiente como para activar la válvula de seguridad en una posición abierta.

Suelte la perilla manual de control de gas y gírela hasta la posición ENCENDIDO (ON). Configure nuevamente el termostato a la temperatura deseada.

NOTE:

Durante el encendido inicial de MR. HEATER, saldrá un olor y, quizá, un poco de vapor del calentador. Es el material de las juntas el que emite este olor o vapor. Después de aproximadamente 20 minutos el olor desaparecerá y esto no volverá a suceder.

11. APAGADO

- APAGUE el termostato.
- Gire la perilla manual de control de gas en la válvula de gas hasta la posición PILOTO.
- Presione levemente la perilla y gírela hasta la posición APAGADO.
- Cierre las válvulas de suministro de gas.

12. INSTRUCCIONES DE MANTENIMIENTO PARA EL OPERADOR

1. TROUBLESHOOTING

- La Tabla 4 contiene una lista de las fallas más comunes que puede encontrar durante el funcionamiento o mantenimiento del calentador
- Para obtener más información consulte el Boletín de campo de Honeywell adjunto en la caja del calentador
- En el caso de que no obtenga resultados después de llevar a cabo todas las soluciones de la lista, comuníquese con el distribuidor de Mr. Heater, o con el departamento de servicio al cliente de la fábrica al 1-800-251-0001

2. ADJUSTING THE PILOT FLAME

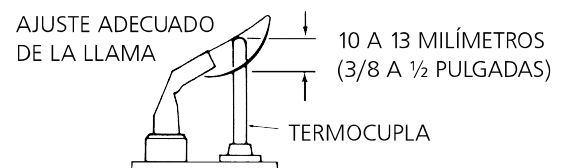


Figura 7. Ajuste adecuado de la llama

La llama del piloto debe cubrir entre 10 y 13 mm (3/8 y 1/2 pulgadas) de la punta de la termocupla o del generador. Para ajustar la llama del piloto, consulte la Figura 7.

- Retire el tornillo de la tapa de ajuste del piloto. Consulte la Figura 8
- Gire el tornillo de ajuste interno hacia la derecha para disminuir la llama del piloto, o hacia la izquierda para aumentarla
- Siempre reemplace el tornillo de la tapa después del ajuste y sujételo firmemente para garantizar un funcionamiento adecuado.

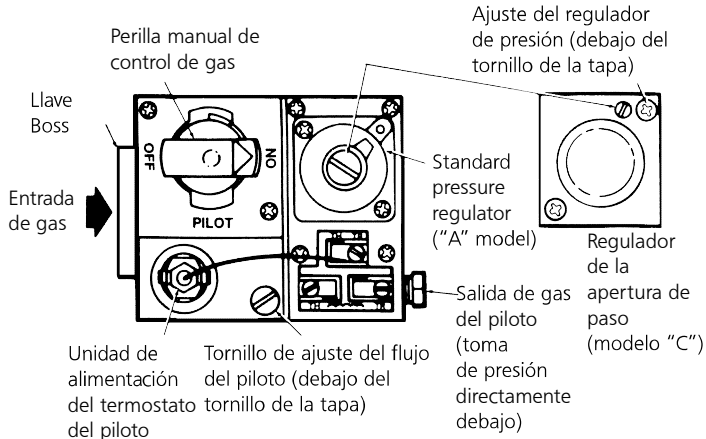


Figure 8. Top view of standard capacity gas control.

TABLE 4. CUADRO DE RESOLUCIÓN DE PROBLEMAS

A continuación, en forma de cuadro, se encuentran varios síntomas de un sistema con fallas, los posibles defectos que causan estos síntomas y la medida correctiva sugerida. En

13. REEMPLAZO DE LA UNIDAD DE LA VÁLVULA DE GAS

- Quite los dos cables de la unidad de la válvula de gas en la válvula de control de gas con la etiqueta "PP".
- Desenrosque la válvula de gas de la tubería de gas.
- Vuelva a conectar la válvula de gas y los cables de la unidad a los terminales "PP". Asegúrese de dejar el cable del termostato en un terminal

14. FRECUENCIA DE LAS VERIFICACIONES DEL OPERADOR

Uso intermitente

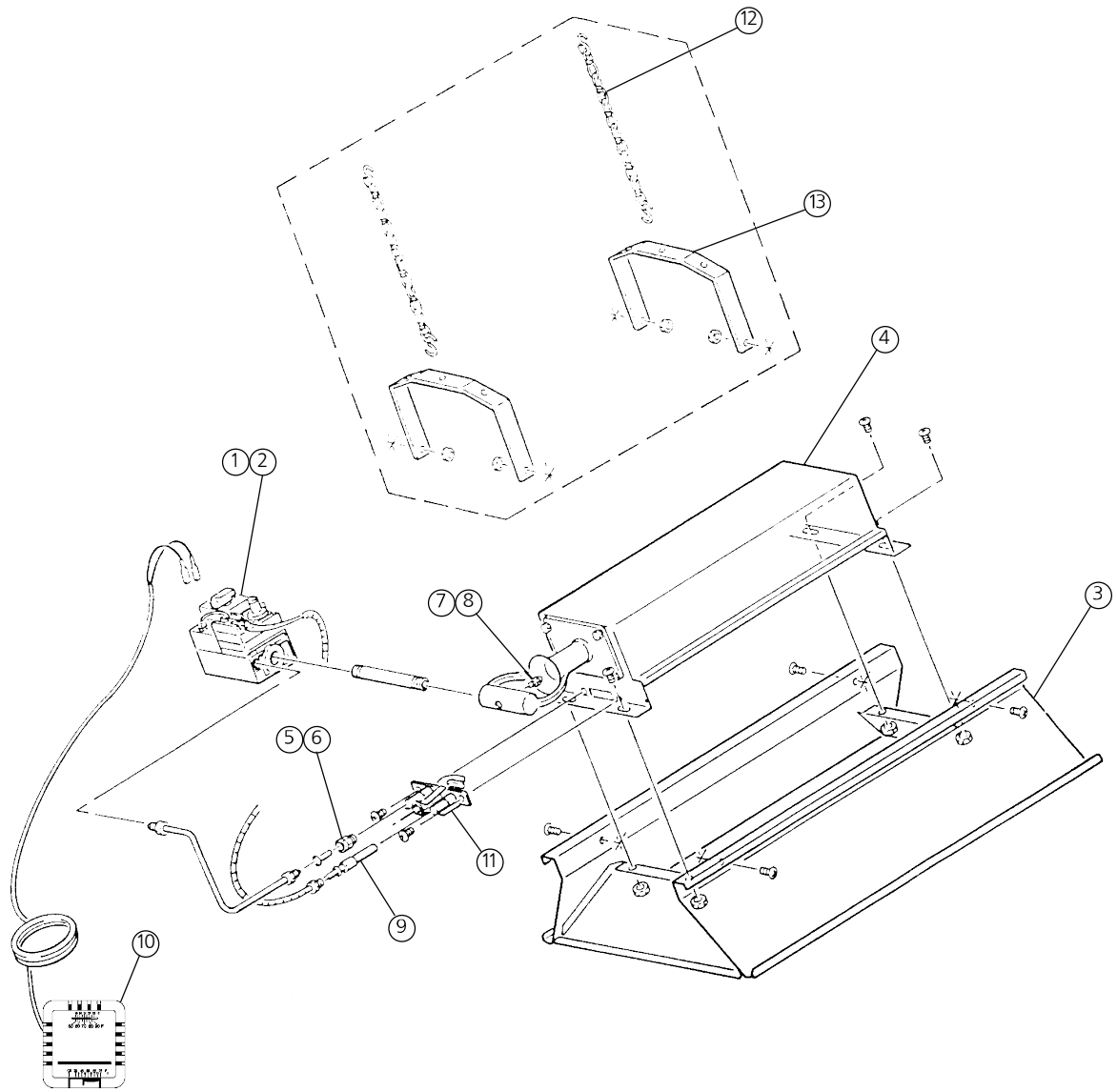
Los artefactos que se utilizan temporalmente se deben verificar antes del apagado y nuevamente antes del próximo uso. Ambiente con polvo, húmedo o corrosivo. Debido a que estos ambientes pueden hacer que el control de gas se deteriore más rápidamente, el sistema se debe verificar con más frecuencia.

El control de gas se debe reemplazar si:

- No funciona correctamente en la verificación o resolución de problemas
- La perilla de control de gas no se puede girar o presionar con facilidad, o no salta cuando se suelta.

escuadro se asume que la presión de gas adecuada está disponible para el calentador y que el procedimiento de encendido es el que se menciona en la placa del calentador.

SÍNTOMAS	CAUSAS	SOLUCIONES
El quemador se apaga muy lentamente	Orificio del piloto parcialmente bloqueado Piloto fuera del ajuste	Volver a ajustar el piloto Reemplazar
El quemador se apaga muy lentamente El color queda pálido	Orificio del quemador parcialmente bloqueado	Reemplaza
El quemador retrocede (hay un ruido crepitante durante el funcionamiento y la superficie de la rejilla de cerámica se oscurece)	Baja presión de gas Quemador dañado	Corregir la presión de línea o comunicarse con el proveedor Reemplazar
La rejilla de cerámica o el quemador tiene hollín (cuando son nuevos o después de una limpieza)	Primera verificación para ver si el orificio del quemador está dañado Si el orificio del quemador no está dañado verifique para ver si hay un colector dañado	Reemplazar si está dañado Reemplazar
El piloto no se puede encende	Orificio del piloto bloqueado La válvula de gas no está en su posición Es posible que el tornillo de ajuste del flujo de gas del piloto esté cerrado	Reemplazar <u>Girar la perilla de control de gas hasta piloto y mantenerla presionada. Abrir y ajustar (vea la Figura 8)</u>
El piloto enciende pero se apaga	Termocupla defectuosa Control defectuoso	Reemplazar Reemplazar
El piloto queda encendido pero el quemador principal no enciende	Cable flojo o mal conectado Control defectuoso Orificio del quemador bloqueado	Ajustar las conexiones, verificar el diagrama Reemplazar Limpiar el orificio o reemplazar
No enciende	<u>El suministro de gas principal está apagado</u> <u>Aire en la tubería de gas</u> <u>Conexiones eléctricas flojas</u> <u>Conexiones eléctricas sucias</u>	Abrir las válvulas manuales Purgar la tubería de gas Ajustar las conexiones eléctricas Limpiar y sujetar los terminales



MH40 REPUESTOS LISTA

ARTÍCULO	INVENTARIO	DESCRIPCIÓN
1	00024	VÁLVULA DE GAS-GAS NATURAL
2	00025	VÁLVULA DE GAS-GAS PROPANO
3	00434A	CONJUNTO DEL REFLECTOR
4	02523A	CONJUNTO DEL QUEMADOR
5	05574	ORIFICIO – PILOTO GAS NATURAL
6	05573	ORIFICIO – PILOTO GAS PROPANO
7	05450	ORIFICIO – QUEMADOR GAS PROPANO
8	05437	ORIFICIO – QUEMADOR GAS NAT.
9	09360	TERMOCUPLA-GENERADOR

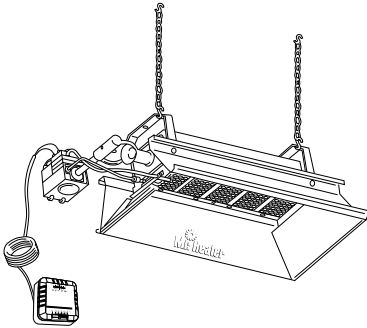
ARTÍCULO	INVENTARIO	DESCRIPCIÓN
10	10367	TERMOSTATO
11	11406	QUEMADOR DEL PILOTO GAS NATURAL
12	17374	JUEGO DE CADENAS
13	F114581	JUEGO DE GANCHOS PARA COLGAR EL CALENTADOR
14	11405	QUEMADOR DEL PILOTO GAS L/P
JUEGOS DE CONVERSIÓN OPCIONALES:		
.....	00286A	LP to NG Conversion
.....	00285A	NG to LP Conversion

OPTIONAL DECORATIVE GRID KIT			
STOCK NO.	DESCRIPTION	STOCK NO.	DESCRIPTION
F204440	Kit De Grid (Grid, Tornillos, Clip de Retención)	F204441	Grid Juego de Reequipamiento (Captafaros, Grid, Tornillos, Clip de Retención)

MR. HEATER

MODELO
MH40NG
MH40LP

INSTRUCCIONES DE USO Y MANUAL DEL USUARIO



ADVERTENCIA:

USE SOLAMENTE REPUESTOS DEL FABRICANTE. EL USO DE CUALQUIER OTRA PIEZA PODRÍA CAUSAR HERIDAS O LA MUERTE. LOS REPUESTOS ESTÁN DISPONIBLES ÚNICAMENTE DE LA FÁBRICA Y DEBEN SER INSTALADOS POR UNA AGENCIA DE REPARACIONES CALIFICADA

INFORMACIÓN PARA PEDIR REPUESTOS:

COMPRAS: Los accesorios se pueden comprar en cualquier distribuidor local de Mr. Heater o directamente de la fábrica.

SI DESEA OBTENER INFORMACIÓN ACERCA DE REPARACIONES

Llame sin cargo al 800-251-0001
www.mrheater.com

Nuestro horario de trabajo es de 8:00 a. m. a 5:00 p. m., hora del este, de lunes a viernes.

Incluya el número de modelo, la fecha de compra y la descripción del problema en todas sus comunicaciones.

LIMITED WARRANTY

Enerco Group, Inc. garantiza la calidad material y de fabricación de sus calentadores y accesorios por un período de 1 año a partir de la fecha de compra. Enerco Group, Inc. reparará o reemplazará este producto sin cargo si presentara desperfectos dentro del primer año tras realizada la compra, siempre y cuando el cliente cubra los gastos de la devolución y presente el comprobante de compra a Enerco Group, Inc. dentro del período de garantía.

Enerco Group, Inc. se reserva el derecho de hacer cambios en cualquier momento, sin previo aviso, en los colores, especificaciones, accesorios, materiales y modelos.

ENERCO GROUP, INC., 4560 W. 160TH ST., CLEVELAND, OHIO 44135 • 216-916-3000
Mr. Heater and Portable Buddy are registered trademarks of Enerco Group, Inc.
© 2017, Enerco/Mr. Heater. All rights reserved



ANSI Z83.19a-2002
CSA 2.35a-2002

GUIDE D'UTILISATION ET INSTRUCTIONS DE FONCTIONNEMENT

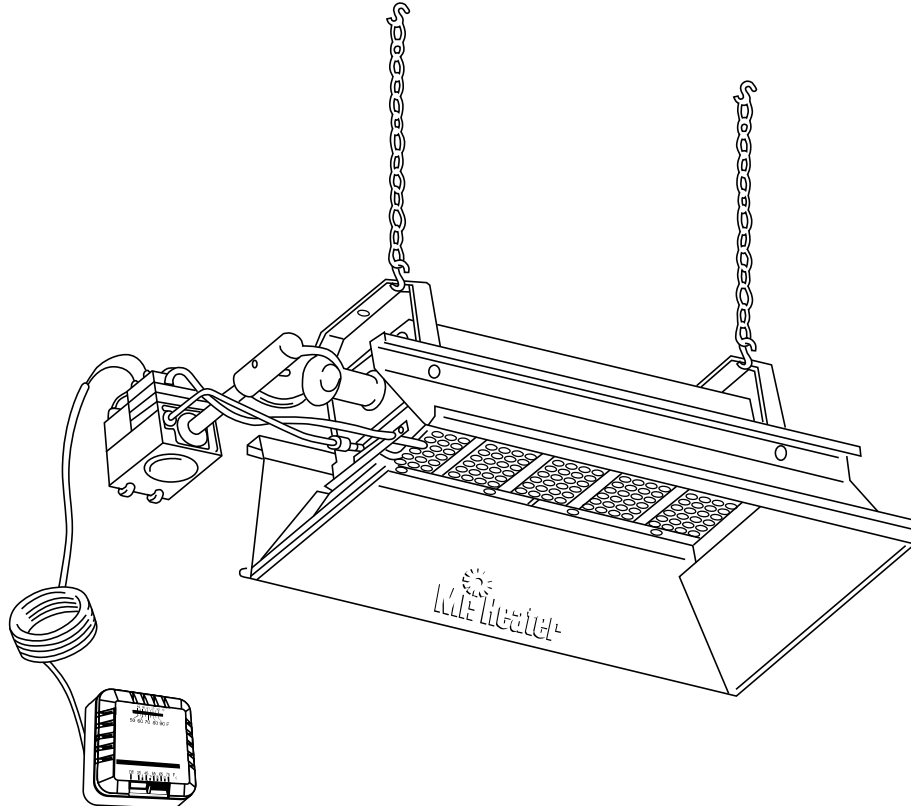
LISEZ SOIGNEUSEMENT LES INSTRUCTIONS : Lisez et observez toutes les instructions. Conservez les instructions en sécurité pour vous y référer ultérieurement. Interdisez à quiconque n'ayant pas lu les présentes instructions d'assembler, d'allumer, de régler ou de faire fonctionner cet appareil de chauffage.

MR. HEATER

MODÈLE

MH40NG
MH40LP

RADIATEUR AUTONOME À GAZ OU À INFRAROUGE



AVERTISSEMENT : Le fait de ne pas respecter les instructions données dans le présent guide avec exactitude risque d'entraîner une explosion ou un incendie causant des dommages matériels, des blessures et des pertes de vie.

- N'entreposez ni n'utilisez d'essence ou autres liquides ou vapeurs inflammables à proximité de ce type d'appareil.
- EN PRÉSENCE D'UNE ODEUR DE GAZ
 - Coupez l'alimentation du gaz
 - Ne tentez pas d'allumer l'appareil de chauffage
 - Ne touchez à aucun interrupteur électrique; n'utilisez aucun téléphone dans l'immeuble
 - Appelez immédiatement votre fournisseur de gaz à partir du téléphone d'un voisin. Suivez les instructions du fournisseur de gaz
 - Si vous ne pouvez joindre votre fournisseur de gaz, appelez le service des incendies
- L'installation et l'entretien doivent être exécutés par un installateur qualifié, par un fournisseur de services d'entretien ou par un fournisseur de gaz.

Cet appareil de chauffage portable alimenté au gaz n'est pas ventilé. Il utilise l'oxygène de l'air ambiant. Une circulation d'air adéquate doit être assurée pour la combustion et la ventilation. Voir page 5.

AVERTISSEMENT :

⚠ Une installation incorrecte, un réglage inadéquat, une modification, une réparation ou un entretien inappropriés peuvent également causer des dommages, des blessures, voire même la mort. Lisez les instructions d'installation, de fonctionnement et d'entretien avant de procéder à l'installation ou à l'entretien de cet équipement. Pour obtenir de l'aide ou des renseignements supplémentaires, consultez un installateur qualifié, un fournisseur de services d'entretien ou un fournisseur de gaz.

AVERTISSEMENT :

⚠ Si l'appareil de chauffage est utilisé sans l'apport d'air frais, il peut émettre du MONOXYDE DE CARBONE, un gaz toxique inodore. OUVREZ LA FENÊTRE D'UN POUCE OU DEUX POUR LAISSER PÉNÉTRER L'AIR FRAIS LORS DE L'UTILISATION DE L'APPAREIL DE CHAUFFAGE.

AVERTISSEMENT :

⚠ Cet appareil de chauffage est muni d'un SYSTÈME DE SÉCURITÉ À VEILLEUSE. NE PAS ALTÉRER LE SYSTÈME DE SÉCURITÉ À VEILLEUSE!

AVERTISSEMENT :

⚠ Si le système de chauffage s'éteint, ne le rallumez pas tant qu'il n'y a pas d'air frais. Si le système de chauffage n'arrête pas de s'éteindre, faites-le réparer. Garder le brûleur et la zone de commande propres. Ouvrez la porte pendant 5 minutes.

Respectez les distances comme l'indique la figure 2 ou la plaque signalétique du système.

- NE JAMAIS UTILISER D'ALLUMETTE, NI AUCUN AUTRE TYPE DE FLAMME POUR EFFECTUER UN ESSAI DE FUITE.
- NE JAMAIS DÉPASSER 1/2 LB/POUCE CARRÉ (PSI) DE PRESSION D'ADMISSION AU SYSTÈME.

DANGER :

L'EMPOISONNEMENT AU MONOXYDE DE CARBONE PEUT CAUSER LA MORT

Empoisonnement au monoxyde de carbone :

Les signes avant-coureurs d'intoxication au monoxyde de carbone ressemblent aux symptômes de la grippe accompagnés de maux de tête, d'étourdissements et de nausée. Si vous ressentez ces maux, l'appareil de chauffage ne fonctionne peut-être pas correctement. Allez immédiatement à l'air libre! Faites inspecter l'appareil de chauffage. Certaines personnes sont plus affectées par le monoxyde de carbone que d'autres. Elles comprennent les femmes enceintes, les personnes souffrant de maladies cardiaques, pulmonaires ou d'anémie, les personnes sous l'influence d'alcool et celles qui se trouvent en haute altitude.

ATTENTION :

- Ne jamais connecter la soupape de gaz ou le thermostat à la tension de ligne ou à un transformateur.
- Si la couleur infrarouge de la grille devient terne lorsque le système de chauffage de l'immeuble est en fonction, consultez le fournisseur de gaz pour obtenir les dimensions correctes des conduites d'alimentation de gaz.
- Cet appareil de chauffage est réservé exclusivement à l'usage intérieur.

REMARQUE

Le liant à joint d'étanchéité utilisé lors de l'assemblage de l'appareil de chauffage émet temporairement une odeur et/ou des vapeurs. Cette condition disparaît en 20 minutes approximativement et par conséquent ne se reproduit plus par la suite. Consultez le chapitre 9 sur la ventilation.

AVERTISSEMENT DE LA CALIFORNIE :

AVERTISSEMENT :

L'utilisation de cet appareil crée des sous-produits de combustion contenant du monoxyde de carbone, un produit chimique reconnu par l'État de la Californie comme cause de cancer et d'anomalies congénitales (ou autres risques pour la reproduction).

TABLE DES MATIÈRES

1. RENSEIGNEMENTS GÉNÉRAUX.....	3	9. VENTILATION.....	5
2. DÉGAGEMENT.....	3	10. PROCÉDURE DE DÉMARRAGE.....	5
3. SUSPENSION.....	4	11. FERMETURE DE L'APPAREIL DE CHAUFFAGE.....	5
4. ALIMENTATION EN GAZ.....	4	12. GUIDE D'INSTRUCTIONS D'ENTRETIEN DE L'UTILISATEUR.....	5
5. EXIGENCES RELATIVES AUX CONDUITES.....	4	13. REMPLACEMENT DE L'ENSEMBLE DE SOUPAPE DE GAZ.....	7
6. PRESSION DU GAZ.....	4	14. FRÉQUENCE DES VÉRIFICATIONS PAR L'UTILISATEUR.....	7
7. CIRCUIT ÉLECTRIQUE.....	4	15. LISTE DE PIÈCES DE RECHANGE POUR LE MH40.....	7
8. THERMOSTAT ET EMBLACEMENT D'INSTALLATION.....	4	16. GARANTIE.....	8

1. RENSEIGNEMENTS GÉNÉRAUX

- Votre appareil de chauffage est livré entièrement assemblé et a été préalablement inspecté en usine pour approuver le type de gaz utilisé et la bonne marche de l'appareil, conformément à la plaque signalétique.
- Avant de procéder à l'installation, effectuez une inspection pour déceler la présence de dommages. La compagnie de transport doit être avisée de tous dommages et doit exiger une inspection. MR. HEATER vous expédiera des pièces de rechange en échange de pièces défectueuses uniquement après avoir reçu un rapport d'inspection signé qui témoigne de la fiabilité de la compagnie de transport.
- Ne pas tenter de faire fonctionner l'appareil de chauffage avec un autre type de gaz que celui indiqué sur la plaque signalétique.
- L'installation de l'appareil de chauffage doit respecter les codes du bâtiment de votre localité, et en l'absence de tels codes, doit se conformer à la norme ANSI Z223.1a/NFPA54 du National Fuel Gas Code, et à la norme sur l'entreposage et la manutention des gaz pétroliers liquéfiés, ANSI/NFPA 58.
- Les installations canadiennes doivent être conformes au code du gaz CAN/CGA-B149.1,2 disponible à la CSA (l'Association canadienne de normalisation) site web @ <http://www.csa.ca> ou en appelant le 1-800-463-6727.
- Branché 1/8 po N.P.T. (National Pipe Thread) La connexion de la jauge d'essai est située sur la soupape de gaz de l'appareil de chauffage ou d'une connexion 1/8 po N.P.T. La connexion est située à l'extérieur du tube diffuseur moulé.
- Communiquez avec le fabricant lorsque l'équipement requiert une installation en haute altitude. Le fabricant fournit des trousseaux de conversion en haute altitude avec les instructions et les plaques d'identification.

Pour de plus amples renseignements, communiquez avec;

MR. HEATER CORPORATION
 CUSTOMER SERVICE DEPT.
 CLEVELAND, OHIO
 1-800-251-0001

*Les manuels NFPA supplémentaires suivants sont utiles lors de l'installation de l'appareil MR. HEATER dans un endroit non prévu dans ce manuel :

Numéro	Sujet connexe
NFPA 88	Distances de sécurité des surfaces combustibles
NFPA 88	Distances de sécurité des surfaces combustibles

⚠ NE PAS DÉPASSER 1/2 LB/POUCE CARRÉ (PSI) DE PRESSION D'ADMISSION AU SYSTÈME DE CHAUFFAGE.

2. DISTANCES (dégagement)

Distances de sécurité minimales des matériaux combustibles (Voir le tableau 3). Prévoyez une distance de sécurité adéquate des matériaux combustibles, voir le tableau 3. Prévoyez la même distance de sécurité à l'extrémité de commande de l'appareil de chauffage ainsi qu'un minimum de dégagement au-dessus et sur les côtés pour assurer une bonne ventilation et l'alimentation en air de combustion.

Un dégagement minimal de 2,5 m (8 pi) à partir du sol pour les garages publics, conformément à la norme ANSI/NFPA No. 409 dans sa plus récente version, ou au tableau 3; la plus grande dimension de la norme ANSI/NFPA No. 409 ou du tableau 3 doit être utilisée.

*Lors de la recherche d'un emplacement adéquat pour l'installation de l'appareil MR. HEATER, il faut s'assurer que l'ouverture de n'importe quelle porte ou fenêtre extérieure ou intérieure ne viole pas les limites de dégagement permises et qu'il n'y a pas de contact avec des composants de l'appareil de chauffage.

Tableau 1. Capacité nominale de BTU et pressions d'alimentation

MODÈLE NO.	BTU/HR CAPACITÉ NOMINALE		PRESSION D'ALIMENTATION EN GAZ (W.C.)						ORIFICE DIMENSION	
	GAS		MIN.		MAX.		COLLECTEUR			
	NATUREL	PROPANE	NAT.	L.P.	NAT.	L.P.	NAT.	L.P.	NAT.	L.P.
MH/HS40NG	40 000	—	6,8 po W.C.	—	7 po W.C.	—	5,8 po	—	37	—
MH/HS40LP	—	40 000	—	11 po W.C.	—	14 po W.C.	—	10 po	—	50

Tableau 2. Dimensions de l'appareil de chauffage et des orifices

MODÈLE NO.	FONCTIONNEMENT PRESSION	DIMENSION DE L'ORIFICE		ENTRÉE BTU/H	DIMENSION			
		BRÛLEUR	PILOTE		LARGEUR	LONGUEUR	HAUTEUR	POIDS
MH/HS40NG	6,8 po w.c.	37	0,023	40 000	19-1/4 po	30-1/4 po	12 po	25 lb
MH/HS40LP	10 po w.c.	50	0,015	40 000	19-1/4 po	30-1/4 po	12 po	25 lb

Tableau 3. Directives d'installation, de ventilation et de montage

MODÈLE NO.	BTU/HR CAPACITÉ NOMINALE		POSITION NORMALE DE MONTAGE	DISTANCE DE SÉCURITÉ DES SURFACES COMBUSTIBLES			
	GAZ			DESSUS	CÔTÉS	ARRIÈRE	DESSOUS
	NAT.	L.P.					
MH/HS40NG	40 000	—	HORIZ-30°	34 po	30 po	30 po	68 po
MH/HS40LP	—	40 000	HORIZ-30°	34 po	30 po	30 po	68 po

3. SUSPENSION

L'appareil de chauffage, muni de quatre trous de montage, deux à chaque extrémité, pour fixer une tige, une chaîne ou des supports angulaires en fer, doit être fixé adéquatement, en toute sécurité, à l'écart des conduites de gaz et des lignes d'alimentation électriques.

4. ALIMENTATION EN GAZ

Assurez une alimentation adéquate en gaz pour l'entrée nominale de chaque appareil de chauffage utilisant des installations de conduites et des appareils de type American Standard dans l'immeuble. Dans la brochure ANSI Z223.1a/NFPA 54, le tableau C-3 illustre la capacité des différents diamètres de conduites de gaz naturel et les longueurs en pied cube par heure avec chute de pression de 0,3 pouces, et une gravité spécifique de 0,60. Pour la capacité des produits de pétrole liquéfiés (LP), se reporter aux figures 3. Sur les conduites filetées utilisez un composé à conduite résistant à l'action de tous les gaz.

Si les conduites de gaz doivent être mises à l'essai avec de l'air comprimé, débranchez chaque appareil de chauffage pour éviter d'endommager les commandes et installez des bouchons aux sorties. Après avoir reconnecté tous les appareils de chauffage, vidangez l'air des conduites de gaz et vérifiez toutes les connexions pour déceler les fuites à l'aide d'une solution savonneuse. Le savon à vaisselle est un excellent détecteur de fuite.

5. EXIGENCES EN MATIÈRE DE CONDUITES

Toutes les conduites installées doivent se conformer aux codes et ordonnances locales ou au National Fuel Gas Code, ANSI Z223.1 (NFPA 54), selon la première éventualité. Lors de l'installation des conduites, les exigences suivantes doivent être prises en compte :

- Utilisez une nouvelle conduite noire adéquatement ajustée et libre d'écorchures.
- Appliquez un composé à conduite de bonne qualité sur tous les embouts filetés mâles avant de procéder à l'assemblage. Si le type L.P. constitue le gaz d'alimentation, assurez-vous que le composé à conduite résiste au gaz de type L.P. gaz. **NE PAS UTILISER DE RUBAN EN TEFLON™.**
- Avant de procéder à l'installation, appliquez le composé à conduite sur tous les embouts filetés mâles comme l'indique la figure 1.

UTILISEZ UNE QUANTITÉ MODÉRÉE DE PÂTE LUBRIFIANTE
LAISSEZ LES DEUX PREMIERS FILETS À NU

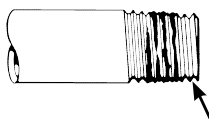


Figure 1. Application du composé à conduit

- Les filets mâles sur la conduite qui doit être installée dans la soupape de gaz doivent répondre aux exigences de la figure 2. Des filets plus longs que ceux apparaissant dans la figure peuvent provoquer une distorsion ou une défaillance de la soupape à gaz.
- Une trappe à sédiments répondant aux exigences caractéristiques de la figure 3 doit être installée dans la conduite vers la soupape à gaz.
- Un robinet de fermeture dédié pour l'appareil de chauffage doit être installé dans la conduite d'alimentation en gaz.

REMARQUE :

po - LONGUEUR MAXIMALE DU FILETAGE
TUYAU NOIR ½ po

CORPS DE LA SOUPAPE À GAZ
½ po - PROFONDEUR MAXIMALE DES
INSERTS DANS LA SOUPAPE À GAZ

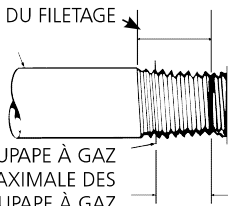


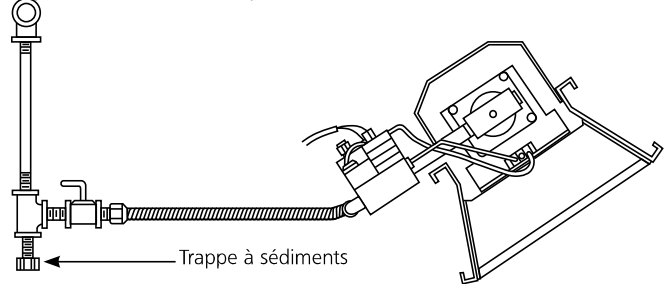
Figure 2.
Exigences de
connexion de la
soupape à gaz

Modèle # MH40NG/LP

1. N'utilisez qu'un composé à conduite résistant aux gaz liquéfiés à basse pression. Installations.

2. Les raccords illustrés ne sont pas inclus avec l'appareil de chauffage.

Figure 3. Installation typique de conduites



6. PRESSION DU GAZ

Lorsque la pression du gaz dépasse le maximum recommandé et qu'elle est maintenue dans la conduite de gaz principale, il est recommandé d'installer un régulateur séparé en aval de l'appareil de chauffage. Consultez le tableau 1 à la page 3 afin de connaître la pression maximale recommandée pour le gaz et le modèle d'appareil concerné.

Voir la plaque signalétique de l'appareil de chauffage pour connaître la pression d'alimentation minimale « pour des fins de réglage à l'entrée ».

Dans une installation à plusieurs appareils de chauffage, il est possible d'utiliser un régulateur à grande capacité ou un régulateur individuel pour chaque appareil. Néanmoins, il est recommandé de créer un système de tuyauterie en boucle.

Communiquez avec votre représentant ou avec le fabricant pour obtenir la configuration requise pour réduire la pression du gaz.

7. CIRCUIT ÉLECTRIQUE

NE JAMAIS CONNECTER LA SOUPAPE DE GAZ OU LE THERMOSTAT À LA TENSION DE LIGNE OU À UN TRANSFORMATEUR.

8. THERMOSTAT ET EMPLACEMENT D'INSTALLATION

Assurez-vous que les caractéristiques électriques du thermostat correspondent à celles des commandes de l'appareil de chauffage. Pour obtenir des résultats optimaux, le thermostat doit être installé à au moins 1,52 m (5 pi) au-dessus du plancher où l'air peut circuler librement autour. **NE PAS MONTER le thermostat directement sur un mur froid, dans les courants d'air ou directement sous l'appareil de chauffage infrarouge.**

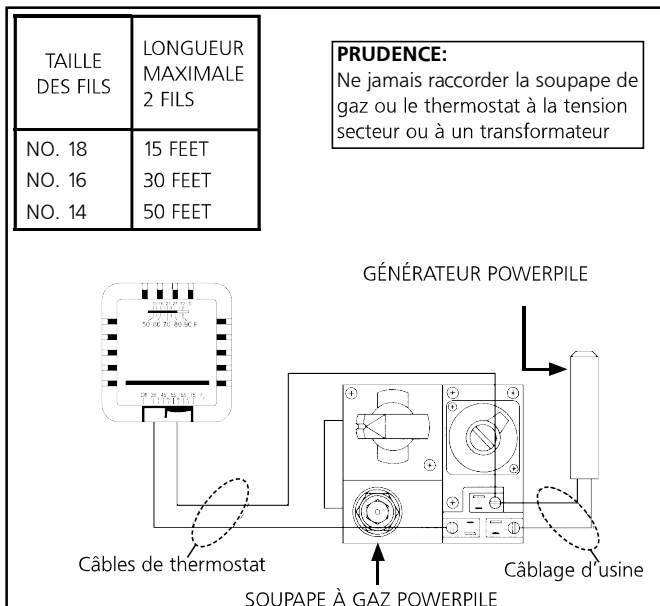
Assurez-vous que l'emplacement sélectionné pour le thermostat répond à toutes les exigences mentionnées précédemment. Reportez-vous aux instructions fournies avec le thermostat pour obtenir les renseignements généraux et les directives de montage.

Si le mur est fait de montants et de placoplâtre, alors utilisez les vis à métal n 6 de un pouce incluses avec le thermostat et fixez-le à l'emplacement choisi.

S'il s'agit d'un mur en brique ou en maçonnerie, utilisez les ancrages appropriés pour fixer les vis de montage du thermostat. Utilisez la plaque arrière comme gabarit pour marquer l'emplacement du trou, puis percez des trous de dimension appropriée pour accueillir les ancrages et fixez solidement le thermostat à l'aide des vis de montage.

Connectez les fils du thermostat à la soupape à gaz comme l'indique la figure 4.

Figure 4 Schéma de connexion



9. VENTILATION

- Les orifices d'air d'admission et d'échappement minimaux fournissent pas moins de 400 pieds cubes/minute pour chaque 100 000 BTU d'entrée sauf que la zone d'infiltration peut être incluse dans la zone d'admission.
- Là où il y a un système de ventilation avec échappement par gravité, il est important de répartir les orifices au-dessus de l'appareil de chauffage (préférentiellement au point le plus élevé de la toiture) et les ouvertures doivent mesurer au moins 300 pouces carrés pour chaque entrée de 100 000 BTU.

10. PROCÉDURE DE DÉMARRAGE

OUVREZ LA(LES) SOUPAPE(S) D'ALIMENTATION EN GAZ.

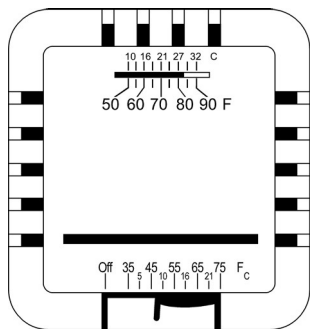


Figure 5. Commandes de thermostat

Réglez le thermostat en position d'arrêt (OFF). Voir la figure 5. Si le bouton de commande manuel du gaz n'est pas en position OFF, enfoncez partiellement le bouton et faites tourner jusqu'à la position OFF. Voir la Figure 6.

Attendez 5 minutes pour permettre au gaz qui s'est accumulé dans le brûleur principal de s'échapper (particulièrement important après l'installation).

Tournez le bouton de commande manuel du gaz en position PILOT.

Appuyez sur le bouton de commande manuel du gaz. À l'aide d'une allumette, allumez la veilleuse. Voir la Figure 6. Tenez le bouton enfoncé pendant environ 30 secondes pour permettre à l'air dans les conduites de passer par le pilote qui, une fois allumé, permet au thermocouple de chauffer suffisamment pour activer la soupape de sûreté en position ouverte.

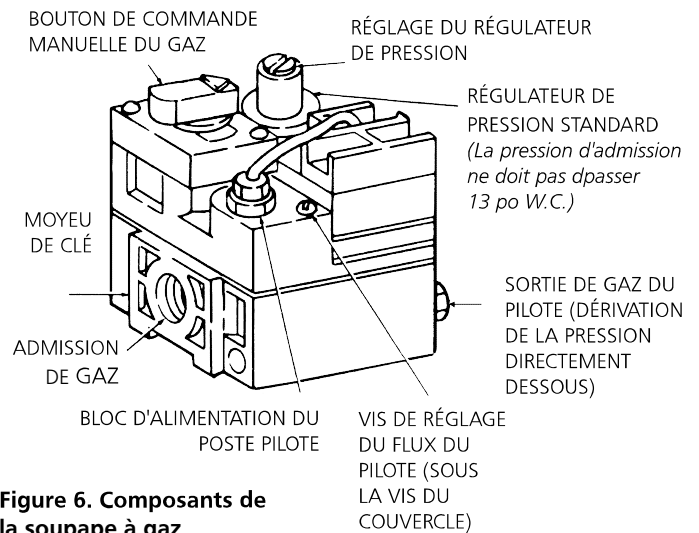


Figure 6. Composants de la soupape à gaz

Relâchez le bouton de commande manuel du gaz et mettez-le en marche (ON). Réglez de nouveau le thermostat à la température désirée.

REMARQUE :

Lors du démarrage initial de l'appareil MR. HEATER, une odeur et de la vapeur peuvent s'échapper de l'appareil de chauffage. Il s'agit du liant à joint d'étanchéité qui émet cette odeur et/ou vapeur. Après 20 minutes approximativement, cette odeur disparaît pour ne plus revenir.

11. FERMETURE

- Fermez le thermostat en le mettant à OFF.
- Tournez le bouton de commande manuel du gaz sur la soupape à gaz à la position PILOT.
- Enfoncez partiellement le bouton et tournez en position d'arrêt (OFF).
- Fermez les soupapes d'alimentation en gaz.

12. GUIDE D'INSTRUCTIONS D'ENTRETIEN POUR L'UTILISATEUR

1. DÉPANNAGE

- Le Tableau 4 énumère les déficiences les plus communes pouvant survenir lors du fonctionnement ou de l'entretien de votre appareil de chauffage.
- Pour de plus amples renseignements, consultez le bulletin Honeywell inclus dans l'emballage de l'appareil de chauffage.
- Dans l'éventualité où aucun résultat ne peut être obtenu après avoir tenté les solutions figurant sur la liste, appelez votre détaillant Mr. Heater, ou le service à la clientèle du fabricant au 1-800-251-0001.

2. RÉGLAGE DE LA FLAMME DE LA VEILLEUSE (PILOTE)

La flamme de la veilleuse (pilote) doit faire environ 3/8 ou 1/2 po. (10 à 13 mm) de l'embout du thermocouple ou du générateur. Pour régler la flamme de la veilleuse, consultez la Figure 7.

RÉGLAGE ADÉQUAT DE LA FLAMME

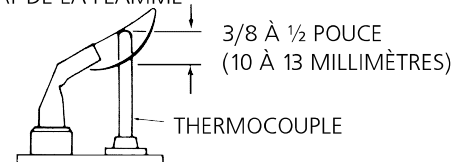


Figure 7. Réglage adéquat de la flamme

- Enlevez la vis du couvercle de réglage du pilote. Consultez la figure 8.
- Tournez la vis de réglage dans le sens horaire pour diminuer ou dans le sens antihoraire pour augmenter la flamme du pilote.
- Il faut toujours remettre la vis du couvercle de réglage une fois le réglage terminé et la serrer fermement pour en assurer le bon fonctionnement.

TABLEAU 4. TABLEAU DE DÉPANNAGE

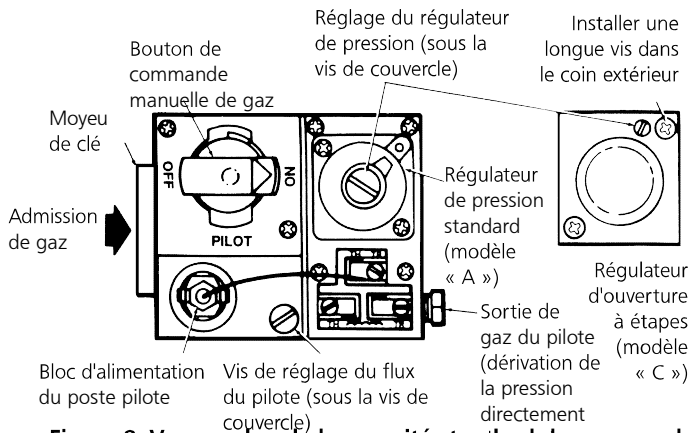


Figure 8. Vue en plan de la capacité standard de commande de gaz.

13. REMPLACEMENT DE L'ENSEMBLE DE SOUPE DE GAZ

- Retirez les deux fils de l'ensemble de soupape de commande de gaz étiquetée « PP ».
- Dévissez la soupape de gaz de la conduite à gaz.
- Rebranchez la soupape à gaz et les fils aux bornes « PP ». Assurez-vous de laisser le fil du thermostat branché à une des bornes.

14. FRÉQUENCE DES VÉRIFICATIONS DE L'UTILISATEUR

Utilisation intermittente

Les appareils utilisés de façon saisonnière doivent être inspectés avant leur fermeture et avant leur prochaine utilisation. Environnement poussiéreux, mouillé ou corrosif. Alors que ces environnements peuvent provoquer la détérioration plus rapidement, le système doit être inspecté plus fréquemment.

Remplacer la commande de gaz si :

- Elle ne fonctionne pas correctement au moment de la vérification ou de la procédure de dépannage.
- Le bouton de commande du gaz est difficile à tourner ou refuse de s'enfoncer, ou reste enfoncé et bloqué lorsqu'il est relâché.

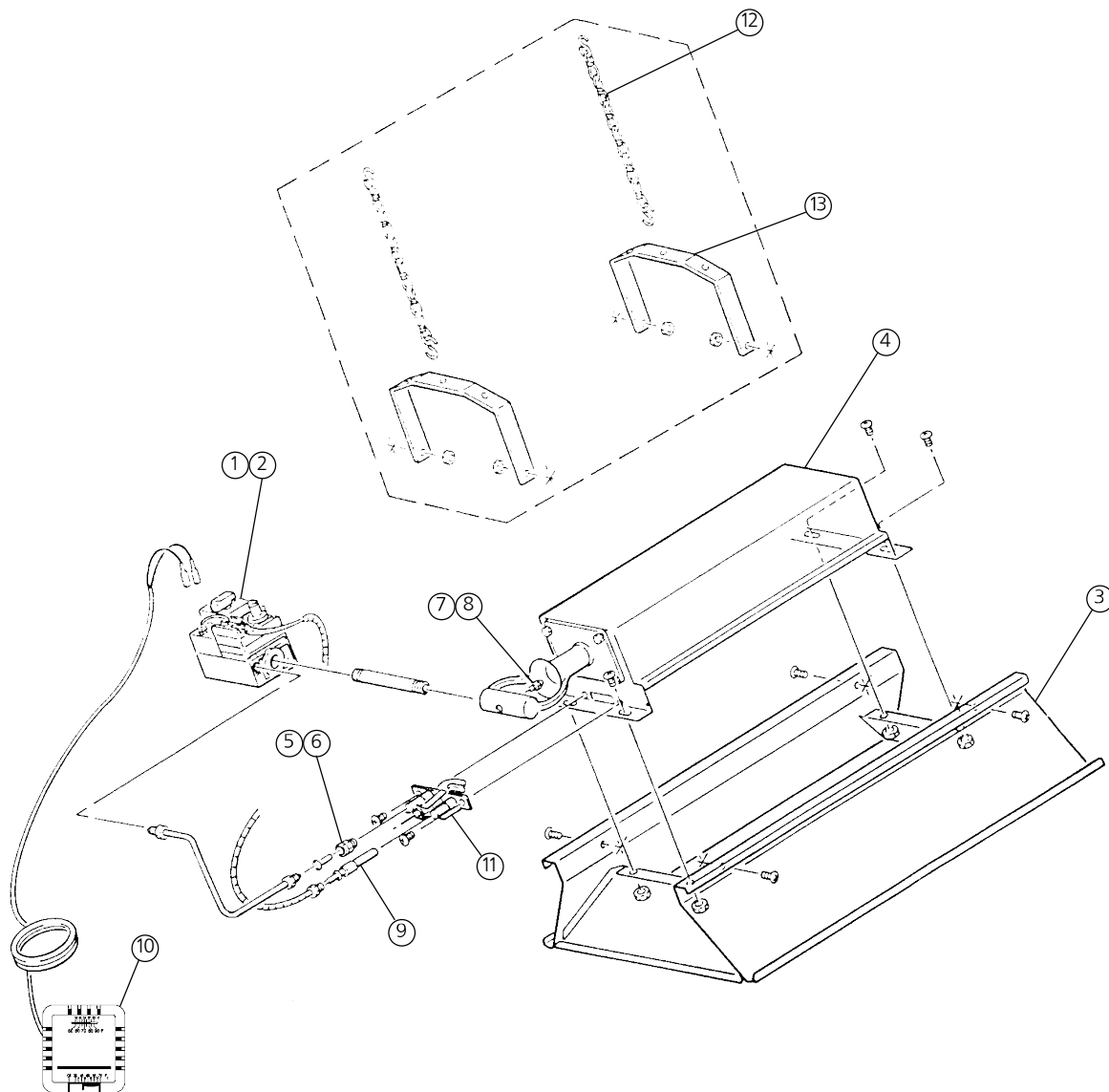
Ci-dessous, sous forme de tableau se trouve la liste de divers symptômes d'un système défectueux, les pannes qui causent ces symptômes et les mesures correctives à apporter. Le tableau suppose que la pression du gaz est correcte et disponible pour

l'appareil de chauffage et que la procédure d'allumage correspond aux directives sur la plaque signalétique fixée à l'appareil.

SYMPTÔMES

CAUSES

SOLUTIONS		
Le voyant du brûleur s'éteint lentement	Orifice du pilote partiellement bloqué Pilote dérégulé	Régler le pilote de nouveau Remplacer
Le voyant du brûleur s'éteint lentement La couleur demeure terne	Orifice du brûleur partiellement bloqué	Remplacer
Retour de flamme du brûleur (bruit de grondement durant le fonctionnement et la grille de céramique est noircie)	Pression du gaz trop basse Brûleur endommagé	Corriger la pression de la conduite ou communiquer avec votre fournisseur de gaz Remplacer
La grille de céramique ou le brûleur s'encrassent de suie (à l'état neuf ou après le nettoyage)	Vérifier d'abord pour les dommages orifice du brûleur Si l'orifice du brûleur est intact vérifier alors si le collecteur est endommagé.	Remplacer en cas de dommages Remplacer
Le pilote ne peut pas s'allumer	Orifice du pilote bloqué Robinet de gaz hors position La vis de réglage du flux de gaz est peut-être fermée	Remplacer Le bouton du robinet de gaz doit être tourné vers le pilote et doit être maintenu enfoncé et doit être maintenu enfoncé Ouvrir et régler (voir la Figure 12)
Le pilote s'allume mais s'éteint aussitôt	Thermocouple défectueux Commande défectueuse	Remplacer Remplacer
Le pilote reste allumé mais le brûleur principal refuse de s'allumer	Fil desserré ou incorrectement branché	Serrer les connexions, vérifier le câblage
	Commande défectueuse Orifice de brûleur bloqué	Schéma Remplacer Nettoyer l'orifice ou le remplacer
Échec de l'allumage	Alimentation principale du gaz fermée Air dans la conduite de gaz Connexions de fils desserrées Connexions de fils encrassées	Ouvrir soupapes manuelles Purger conduite de gaz Serrer les connexions de fils Nettoyer les bornes et les fixer



LISTE DE PIÈCES DE RECHANGE POUR LE MH40

ARTICLE	STOCK	DESCRIPTION
1	00024	SOUPAPE-GAZ-NATUREL
2	00025	SOUPAPE-GAZ-PROPANE
3	00434A	ENSEMBLE DE RÉFLECTEUR
4	02523A	ENSEMBLE DE BRÛLEUR
5	05574	ORIFICE – PILOTE GAZ NATUREL GAZ
6	05573	ORIFICE – PILOTE GAZ PROPANE
7	05450	ORIFICE BRÛLEUR-GAZ PROPANE
8	05437	ORIFICE – BRÛLEUR GAZ NAT. GAZ
9	09360	THERMOCOUPLE-GÉNÉRATEUR

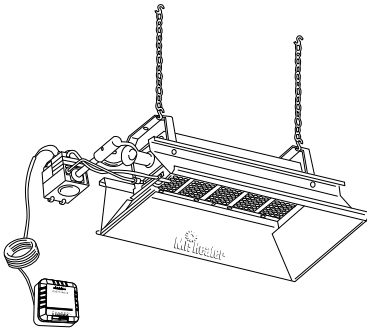
ARTICLE	STOCK	DESCRIPTION
10	10367	THERMOSTAT
11	11406	BRÛLEUR ET PILOTE N.G.
12	17374	ENSEMBLE DE CHAÎNE
13	F114581	ENSEMBLE DE SUPPORT POUR APPAREIL DE CHAUFFAGE
14	11405	BRÛLEUR DU PILOTE L/P
JUEGOS DE CONVERSIÃ" N OPCIONALES:		
.....	00286A	Conversion LP à NG
.....	00285A	Conversion de NG à LP

OPTIONAL DECORATIVE GRID KIT			
STOCK NO.	LA DESCRIPTION	STOCK NO.	LA DESCRIPTION
F204440	Trousse de grille (La Grille, Des Vis, Clip de Rétenion)	F204441	Trousse de rétro ajustement de grille (Réflecteur, La Grille, Des Vis, Clip de Rétenion)

MR. HEATER

MODELE
MH40NG
MH40LP

INSTRUCTIONS DE FONCTIONNEMENT ET GUIDE D'UTILISATION



AVERTISSEMENT :

N'UTILISEZ QUE LES PIÈCES DE REMPLACEMENT DU FABRICANT. L'UTILISATION D'AUTRES PIÈCES RISQUE DE CAUSER DES BLESSURES ET LA MORT. LES PIÈCES DE REMPLACEMENT NE SONT OFFERTES QUE PAR LE FABRICANT ET DOIVENT ÊTRE INSTALLÉES PAR UNE ENTREPRISE SPÉCIALISÉE.

INFORMATIONS SUR LA COMMANDE DE PIÈCES :

ACHAT : On peut se procurer les accessoires par l'entremise de tous les détaillants locaux Mr. Heater ou directement du fabricant.

POUR OBTENIR DES INFORMATIONS SUR LE SERVICE

Appelez sans frais au 800-251-0001
www.mrheater.com

Nos heures d'ouverture sont de 8 h 00 à 17 h HE, du lundi au vendredi.

Veuillez indiquer le numéro du modèle, la date d'achat et la description du problème dans toutes vos communications avec nous.

GARANTIE LIMITÉE

Enerco Group Inc. garantit ses appareils de chauffage et ses accessoires contre les défauts de matériel et de main-d'œuvre pour une période de un an à partir de la date d'achat. Mr. Heater réparera ou remplacera ce produit sans frais s'il est démontré qu'il est devenu défectueux pendant la période prévue d'un (1) an et qu'il est retourné à Mr. Heater aux frais de l'acheteur avec une preuve d'achat, au cours de la période de garantie.

Enerco Group Inc. se réserve le droit d'effectuer des modifications en tout temps, sans préavis ni obligation, aux couleurs, aux spécifications, aux accessoires, aux matériaux et aux modèles.

ENERCO GROUP, INC., 4560 W. 160TH ST., CLEVELAND, OHIO 44135 É.-U. • (216) 916-3000
Mr. Heater et Portable Buddy sont des marques de commerce déposées d'Enerco Group Inc.
© 2017, Enerco/Mr. Heater. Tous droits réservés.



ANSI Z83.19a-2002
CSA 2,35a-2002